

# Torsión X

## Herramientas de Cuadrante



Email: [info@mocer.com](mailto:info@mocer.com) - [melect@une.net.co](mailto:melect@une.net.co)

Tel. (57) (5) 3031-390 - (57) (5) 3785-317

Móvil: 316 -4752020

CRA 46 No. 80-225, Local 2. Barranquilla, Colombia

[www.mocer.com](http://www.mocer.com)



HYDRAULIC TORQUE  
WRENCH SYSTEMS

# MAXDRV<sup>®</sup> SERIES

SQUARE DRIVE TORQUE WRENCHES

MAXDRV<sup>®</sup> Series Square Drive Torque Wrenches offer a compact design, constructed of aluminum alloy and super high strength steel alloy for increased strength and durability while minimizing the weight. The MAXDRV<sup>®</sup> Series is available in a 64 ft-lbs. to 17,502 ft-lbs. torque range.



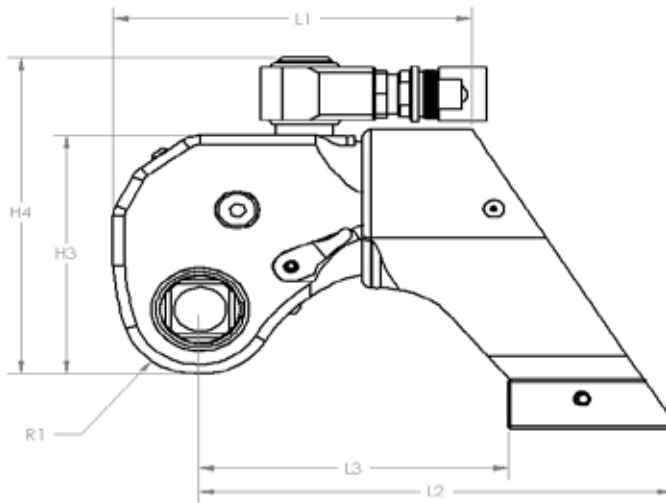
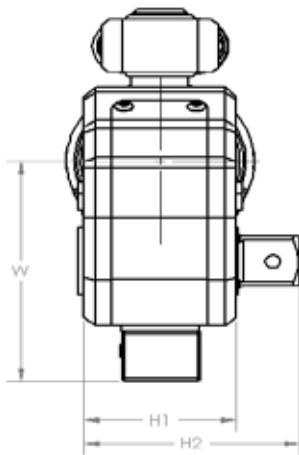
1.844.826.5846

TorsionX.com<sup>®</sup>

# SPECIFICATIONS

## MAXDRV<sup>®</sup> SERIES SQUARE DRIVE TORQUE WRENCHES

| Model            | .7MD       |          | 1MD         |          | 3MD         |          | 5MD         |          | 10MD           |          | 17MD           |          |
|------------------|------------|----------|-------------|----------|-------------|----------|-------------|----------|----------------|----------|----------------|----------|
| Torque (Ft-Lbs.) | 64 - 793   |          | 125 - 1,318 |          | 270 - 3,030 |          | 538 - 5,480 |          | 1,050 - 11,206 |          | 1,640 - 17,502 |          |
| Torque (Nm)      | 86 - 1,076 |          | 169 - 1,787 |          | 366 - 4,108 |          | 729 - 7,430 |          | 1,423 - 15,193 |          | 2,223 - 23,729 |          |
| Drive            | .75"       |          | .75"        |          | 1.00"       |          | 1.50"       |          | 1.50"          |          | 2.50"          |          |
| Weight           | 3.2 lbs    | 1.45 kg  | 5 lbs       | 2.27 kg  | 11 lbs      | 5.00 kg  | 18 lbs      | 8.16 kg  | 32 lbs         | 14.51 kg | 61 lbs         | 27.67 kg |
| L1               | 3.90"      | 99.1 mm  | 4.83"       | 122.7 mm | 6.18"       | 157.0 mm | 7.47"       | 189.7 mm | 9.36"          | 237.7 mm | 10.85"         | 275.6 mm |
| L2               | 5.08"      | 129.0 mm | 6.23"       | 158.2 mm | 8.13"       | 206.5 mm | 9.73"       | 247.1 mm | 12.22"         | 310.4 mm | 14.20"         | 360.7 mm |
| L3               | 3.32"      | 84.3 mm  | 4.11"       | 104.4 mm | 5.31"       | 134.9 mm | 6.41"       | 162.8 mm | 8.02"          | 203.7 mm | 9.19"          | 233.4 mm |
| H1               | 1.62"      | 41.1 mm  | 1.97"       | 50.0 mm  | 2.63"       | 66.8 mm  | 3.16"       | 80.3 mm  | 3.95"          | 100.3 mm | 4.63"          | 117.6 mm |
| H2               | 2.56"      | 65.0 mm  | 2.88"       | 73.2 mm  | 3.72"       | 94.5 mm  | 4.93"       | 125.2 mm | 5.75"          | 146.1 mm | 6.98"          | 177.3 mm |
| H3               | 3.02"      | 76.7 mm  | 3.77"       | 95.8 mm  | 4.88"       | 124.0 mm | 5.97"       | 151.6 mm | 7.35"          | 186.7 mm | 8.50"          | 215.9 mm |
| H4               | 4.29"      | 108.9 mm | 4.97"       | 126.2 mm | 6.46"       | 164.1 mm | 7.71"       | 195.8 mm | 9.04"          | 229.6 mm | 10.36"         | 263.1 mm |
| W                | 1.50"      | 38.1 mm  | 3.45"       | 87.6 mm  | 4.49"       | 114.1 mm | 5.39"       | 136.9 mm | 6.73"          | 170.9 mm | 7.82"          | 198.6 mm |
| R1               | .83"       | 21.1 mm  | 1.04"       | 26.4 mm  | 1.31"       | 33.3 mm  | 1.63"       | 41.4 mm  | 2.03"          | 51.6 mm  | 2.32"          | 58.9 mm  |



**TorsionX**  
EXTREME BOLTING FORCE

1.844.826.5846

TorsionX.com