

PCA1730 __-LJ __

PCX POLYMER CONCRETE ASSEMBLY

17" x 30" x XX"
(For actual dimensions see drawing)

SEE LOCKJAW PART NUMBER CONFIGURATION ON NEXT PAGE

Polymer Concrete Assembly, Straight Sides, No Floor, WUC 3.6, ANSI/SCTE 77- "T22/32K," LockJaw Security Cover

AVAILABLE DEPTHS

- 12" • 24"
- 18" • 30"

LOAD RATINGS

Incidental Traffic - Parking Lot, Sidewalk

Conforms to:

- WUC 3.6
- ASTM C 857
- ANSI/SCTE 77

FEATURES:

- USDA/RUS Approved
- UL Classified Polymer Concrete
- Shipped assembled
- TDG Security Bolts
- Keyhole Dirt Plugs

newbasis
Composites for Infrastructure

2626 Kansas Avenue
Riverside, California 92507

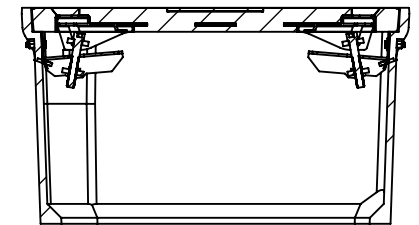
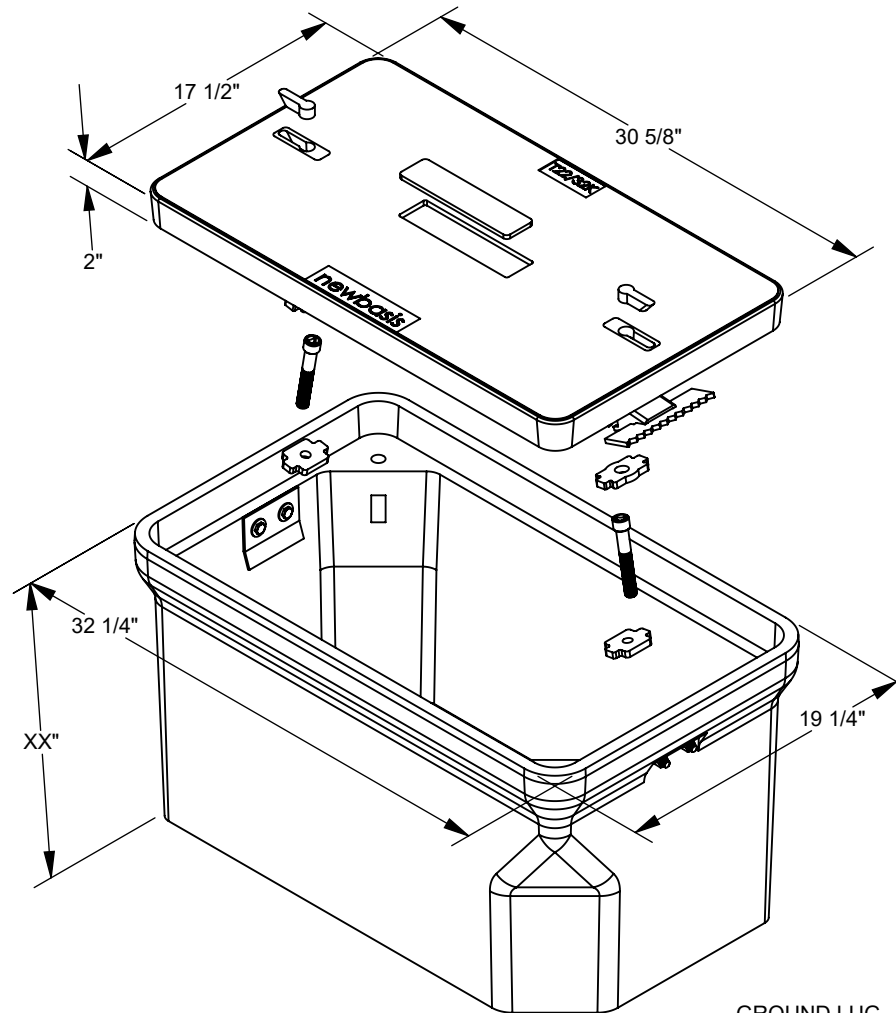
951.787.0600

951.787.0632 (fax)

info@newbasis.com

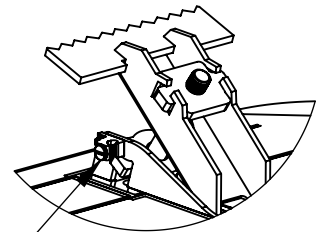
newbasis.com

lockjaw
STOP COPPER THEFT



SECTION VIEW
SIDE WALL

GROUND LUG
(4-14 AWG
GROUND WIRE)



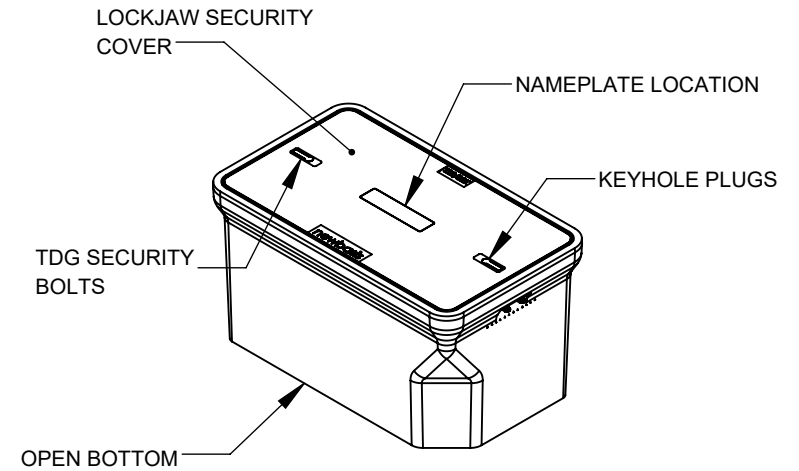
GROUND LUG DETAIL
(1 PLACE EACH LOCKJAW)

PCA1730 __-LJ__ PCX POLYMER CONCRETE ASSEMBLY

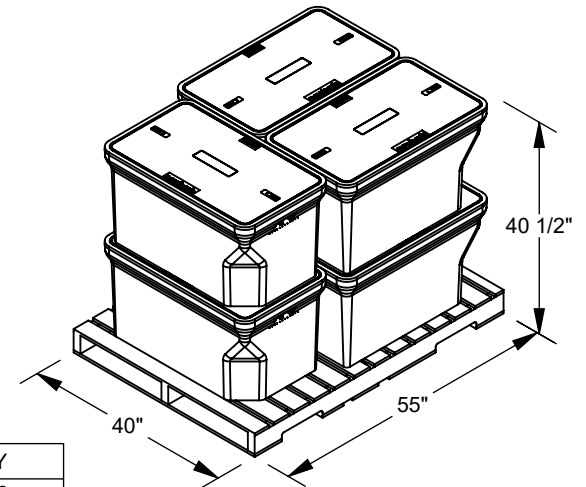


AVAILABLE CONFIGURATIONS

	Depth		Cover Marking	Security Bolt Type	Extras*
PCA1730	__	- LJ	__	__	__
	12		X = TBD / Don't Know Yet	X = 5 Point STANDARD	X = Standard, No Extras
	18		B = BLANK	3 = 3 Point Bolt	
	24		R = RECESS for NamePlate	7 = 7 Point Bolt	R = Racks
	30		C = Custom**	9 = 9 Point Bolt	M = Mouseholes
			A = CATV		B = Racks & MH
			D = BROADBAND		C = Custom**
			E = ELECTRIC		
			F = FIBER OPTIC		
			G = GROUND		
			I = ILLUMINATION		
			L = LIGHTING		
			O = COMMUNICATIONS		
			P = TELEPHONE		
			H = TRAFFIC		
			S = STREET LIGHTING		
			T = TRAFFIC SIGNAL		
			W = WATER		



PACKAGING (Steel Banding, Edge Protection)



PALLET QTY	
12"	9
18"	6
24"	6
30"	6

PALLET QUANTITY REPRESENTATION ONLY