

PCA2436 __-LJ __-__

PCX POLYMER CONCRETE ASSEMBLY

24" x 36" x XX"

(For actual dimensions see drawing)

SEE LOCKJAW PART NUMBER CONFIGURATION ON NEXT PAGE

Polymer Concrete Assembly, Straight Sides, No Floor, WUC 3.6, ANSI/SCTE 77- "T22/32K," LockJaw Security Cover

AVAILABLE DEPTHS

- 18" • 36"
- 24" • 48"
- 30"

LOAD RATINGS

Incidental Traffic - Parking Lot, Sidewalk

Conforms to:

- WUC 3.6
- ASTM C 857
- ANSI/SCTE 77

FEATURES:

- USDA/RUS Approved
- UL Classified Polymer Concrete
- Shipped assembled
- TDG Security Bolts
- Keyhole Dirt Plugs

newbasis
Composites for Infrastructure

2626 Kansas Avenue
Riverside, California 92507

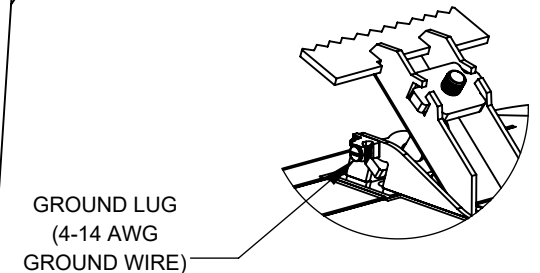
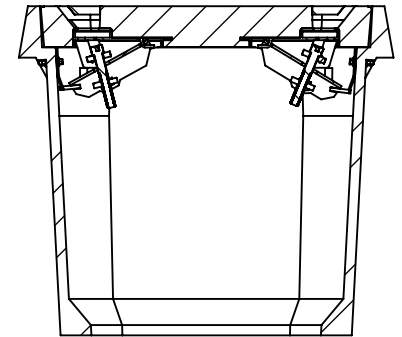
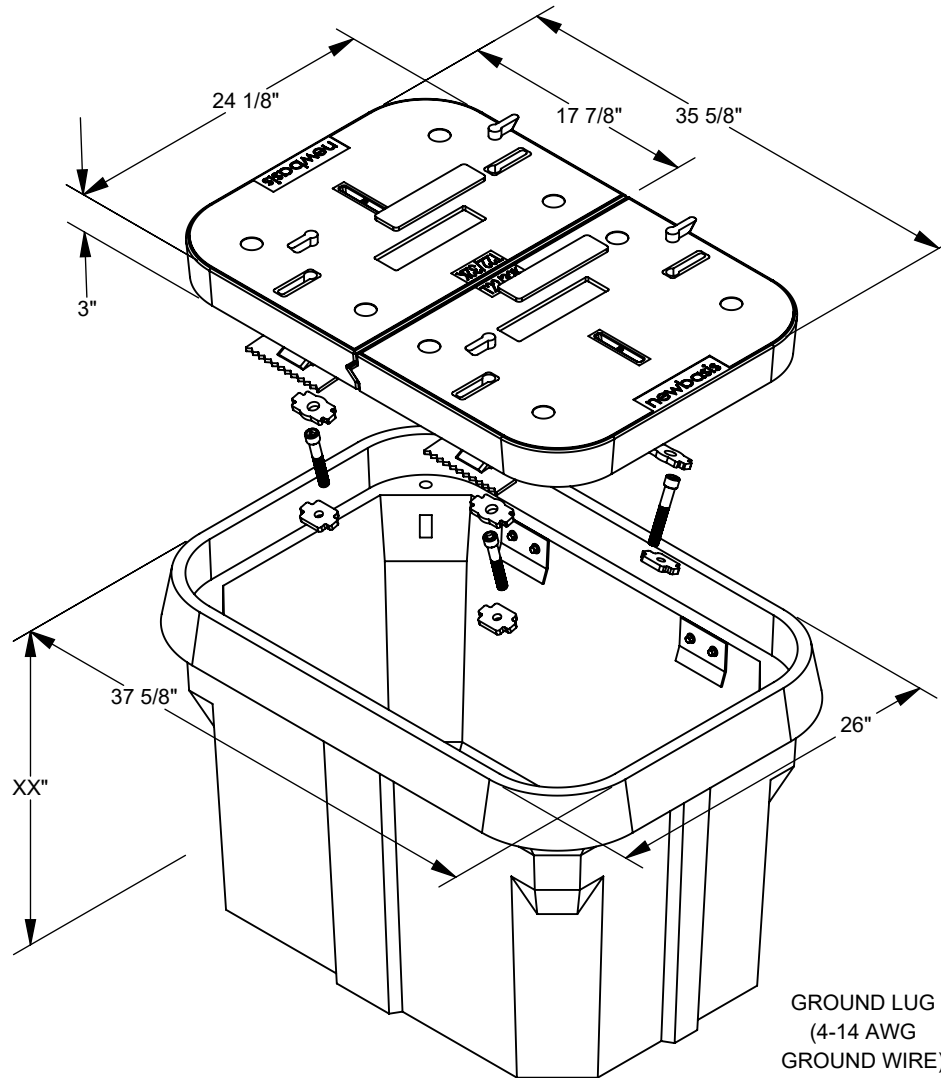
951.787.0600

951.787.0632 (fax)

info@newbasis.com

newbasis.com

lockjaw
STOP COPPER THEFT



GROUND LUG DETAIL
(1 PLACE EACH LOCKJAW)

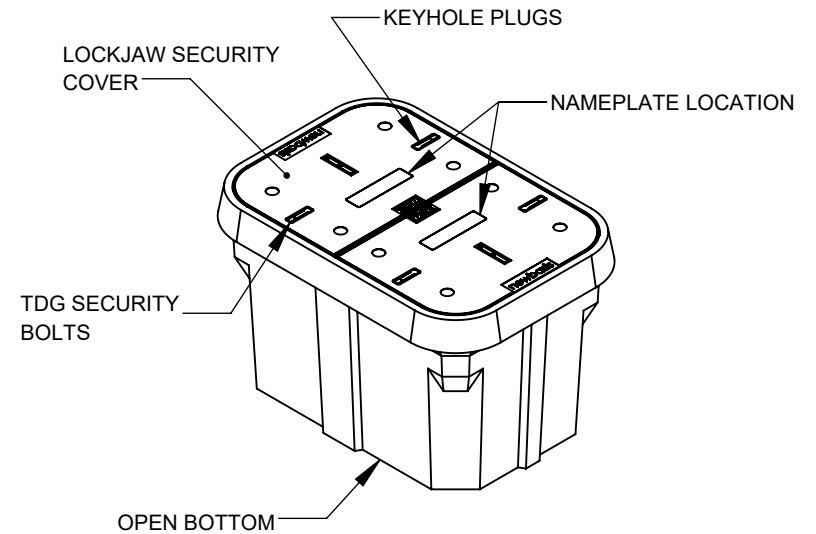
Rev: A.0

PCA2436 __-LJ__ PCX POLYMER CONCRETE ASSEMBLY

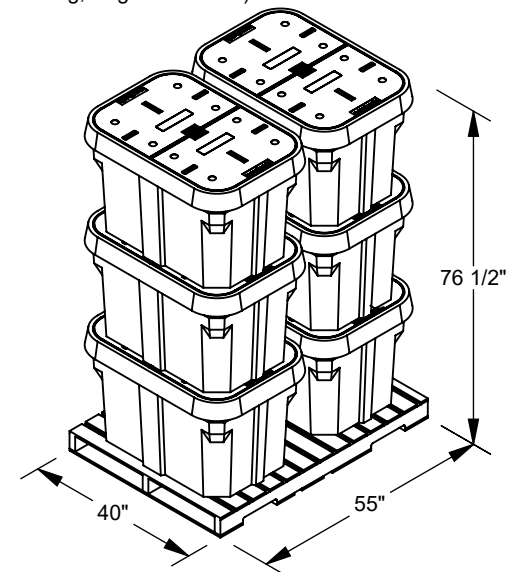


AVAILABLE CONFIGURATIONS

	Depth		Cover Marking	Security Bolt Type	Extras*
PCA2436	__	- LJ	__	__	__
	18		X = TBD / Don't Know Yet	X = 5 Point STANDARD	X = Standard, No Extras
	24		B = BLANK	3 = 3 Point Bolt	
	30		R = RECESS for NamePlate	7 = 7 Point Bolt	R = Racks
	36		C = Custom**	9 = 9 Point Bolt	M = Mouseholes
	48		A = CATV		B = Racks & MH
			D = BROADBAND		C = Custom**
			E = ELECTRIC		
			F = FIBER OPTIC		
			G = GROUND		
			I = ILLUMINATION		
			L = LIGHTING		
			O = COMMUNICATIONS		
			P = TELEPHONE		
			H = TRAFFIC		
			S = STREET LIGHTING		
			T = TRAFFIC SIGNAL		
			W = WATER		



PACKAGING (Steel Banding, Edge Protection)



PALLET QTY	
18"	8
24"	6
30"	4
36"	4
48"	2

PALLET QUANTITY REPRESENTATION ONLY