

PCA3048 __-LJ __

PCX POLYMER CONCRETE ASSEMBLY

30" x 48" x XX"

(For actual dimensions see drawing)

SEE LOCKJAW PART NUMBER CONFIGURATION ON NEXT PAGE

Polymer Concrete Assembly, Straight Sides, No Floor, WUC 3.6, ANSI/SCTE 77- "T22/32K," LockJaw Security Cover

AVAILABLE DEPTHS

- 18" • 36"
- 24" • 48"
- 30"

LOAD RATINGS

Incidental Traffic - Parking Lot, Sidewalk

Conforms to:

- WUC 3.6
- ASTM C 857
- ANSI/SCTE 77

FEATURES:

- USDA/RUS Approved
- UL Classified Polymer Concrete
- Shipped assembled
- TDG Security Bolts
- Keyhole Dirt Plugs

newbasis
Composites for Infrastructure

2626 Kansas Avenue
Riverside, California 92507

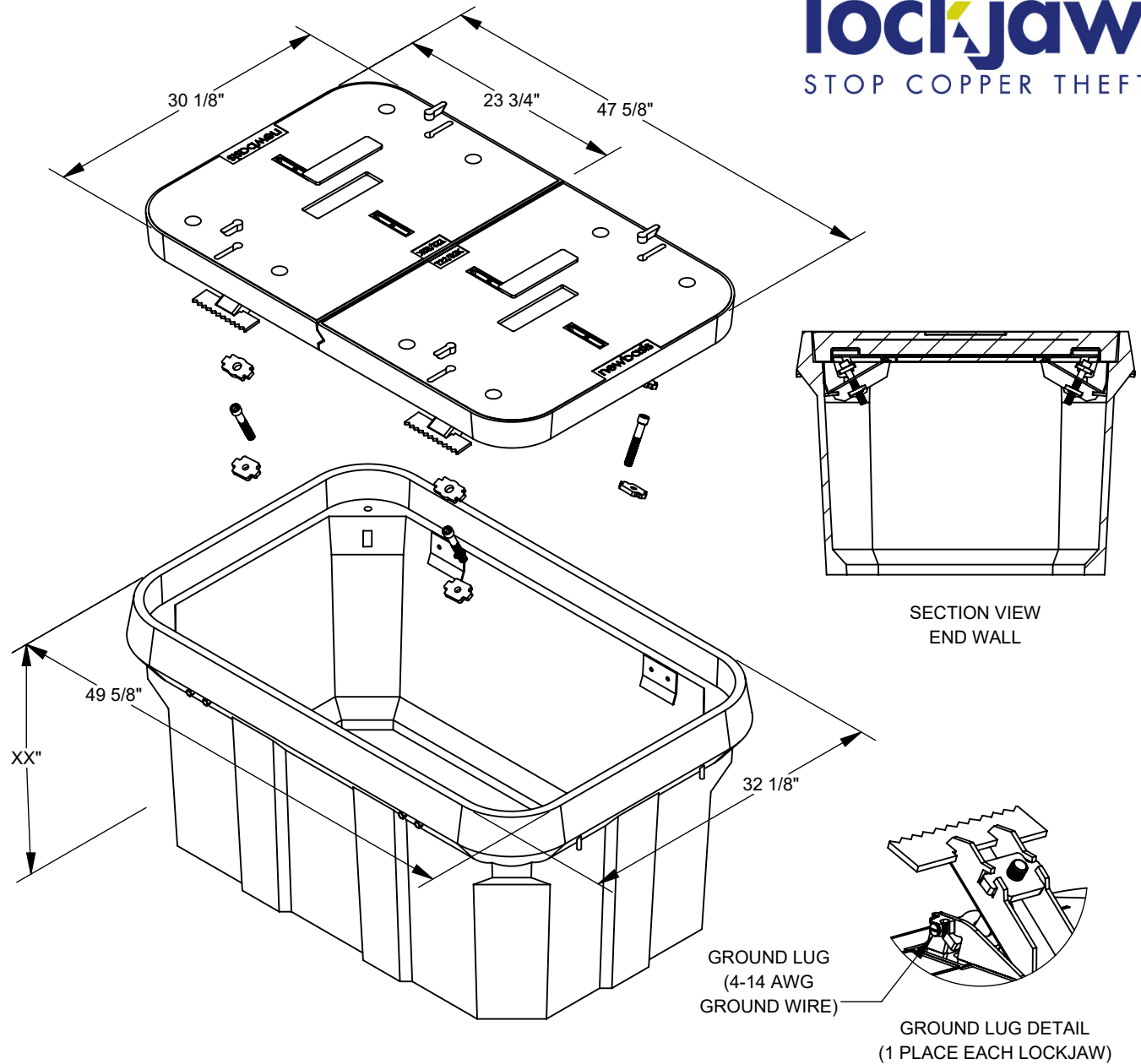
951.787.0600

951.787.0632 (fax)

info@newbasis.com

newbasis.com

lockjaw
STOP COPPER THEFT



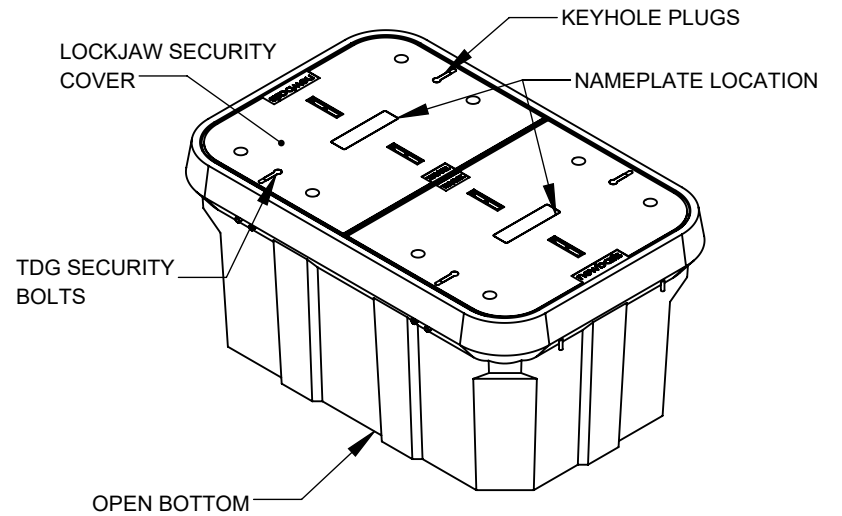
Rev: A.0

PCA3048 __-LJ__ PCX POLYMER CONCRETE ASSEMBLY

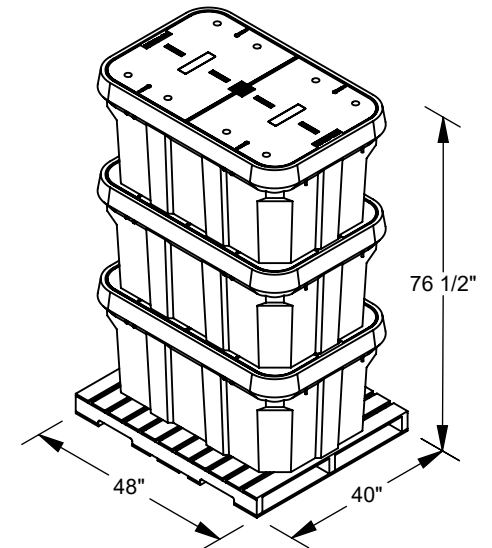


AVAILABLE CONFIGURATIONS

Depth		Cover Marking	Security Bolt Type	Extras*
PCA3048	__ - LJ	__	__	__
18		X = TBD / Don't Know Yet	X = 5 Point STANDARD	X = Standard, No Extras
24		B = BLANK	3 = 3 Point Bolt	
30		R = RECESS for NamePlate	7 = 7 Point Bolt	R = Racks
36		C = Custom**	9 = 9 Point Bolt	M = Mouseholes
48		A = CATV		B = Racks & MH
		D = BROADBAND		C = Custom**
		E = ELECTRIC		
		F = FIBER OPTIC		
		G = GROUND		
		I = ILLUMINATION		
		L = LIGHTING		
		O = COMMUNICATIONS		
		P = TELEPHONE		
		H = TRAFFIC		
		S = STREET LIGHTING		
		T = TRAFFIC SIGNAL		
		W = WATER		



PACKAGING (Steel Banding, Edge Protection)



PALLET QTY	
18"	4
24"	3
30"	2
36"	2
48"	2

PALLET QUANTITY REPRESENTATION ONLY