

PCC1015LJ-_-_-_-

LOCKJAW SECURITY COVER

10" x 15" x 2"

(For actual dimensions see drawing)

SEE LOCKJAW PART NUMBER CONFIGURATION ON NEXT PAGE

Polymer Concrete Cover, WUC 3.6, ANSI/SCTE 77-"T22/32K," Non-Skid Surface, LockJaw Security Cover

LOAD RATINGS

Incidental Traffic - Parking Lot, Sidewalk
Conforms to:

- WUC 3.6
- ASTM C 857
- ANSI/SCTE 77

FEATURES:

- USDA/RUS Approved
- UL Classified Polymer Concrete
- Shipped assembled
- TDG Security Bolts
- Keyhole Dirt Plugs

newbasis
Composites for Infrastructure

2626 Kansas Avenue
Riverside, California 92507

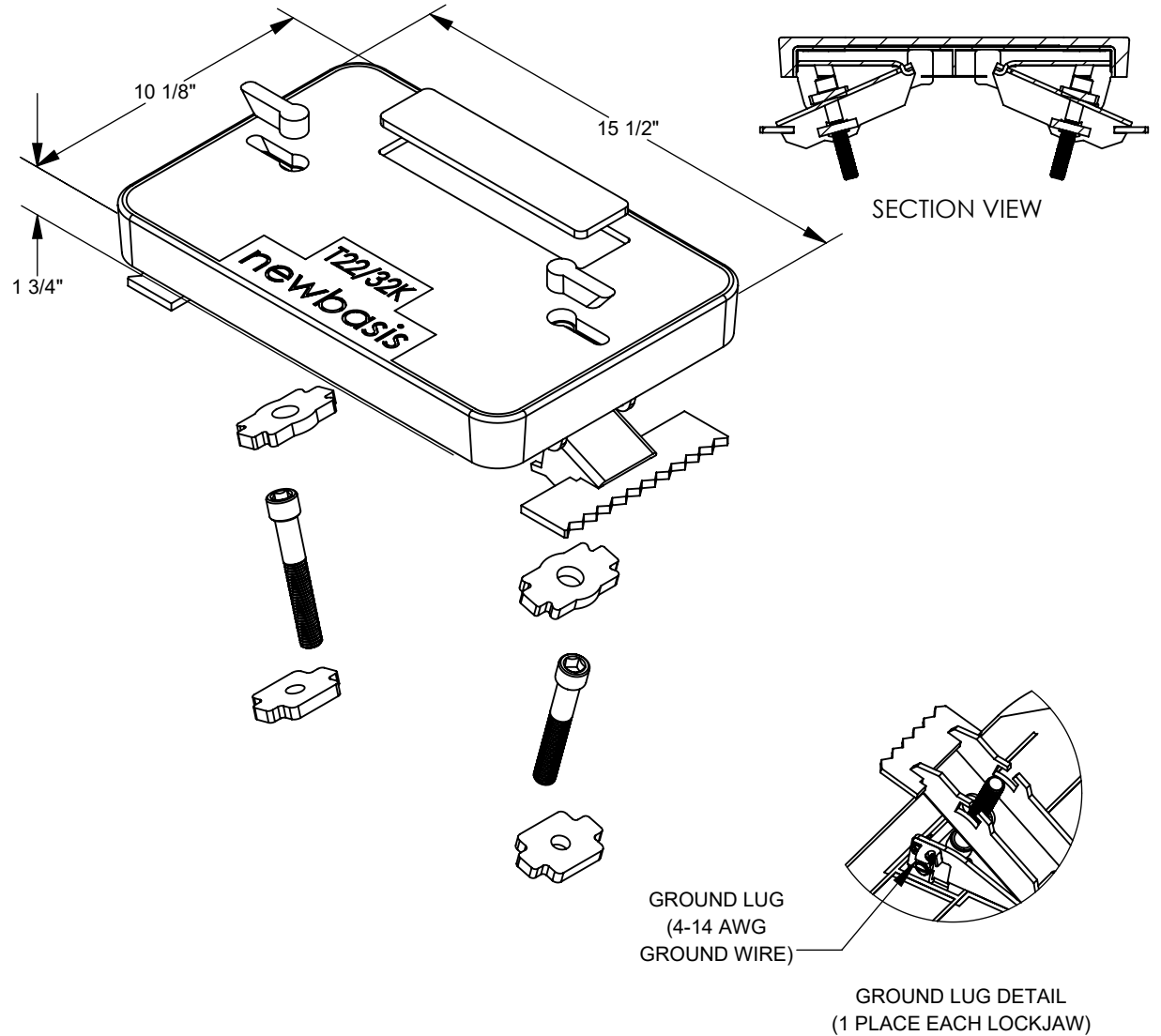
951.787.0600

951.787.0632 (fax)

info@newbasis.com

newbasis.com

lockjaw
STOP COPPER THEFT



Rev: A.0

PCC1015LJ- _ _ _ _ LOCKJAW SECURITY COVER



AVAILABLE CONFIGURATIONS

	Cover Marking	Security Bolt Type	Existing Box Material	Extras*
PCC1015 LJ -	—	—	—	—
	X = TBD / Don't Know Yet	X = 5 Point STANDARD	P = Polymer Concrete	X = Standard, No Extras
	B = BLANK	3 = 3 Point Bolt	C = Concrete	
	R = RECESS for NamePlate	7 = 7 Point Bolt		C = Custom**
	C = Custom**	9 = 9 Point Bolt		
	A = CATV			
	D = BROADBAND			
	E = ELECTRIC			
	F = FIBER OPTIC			
	G = GROUND			
	I = ILLUMINATION			
	L = LIGHTING			
	O = COMMUNICATIONS			
	P = TELEPHONE			
	H = TRAFFIC			
	S = STREET LIGHTING			
	T = TRAFFIC SIGNAL			
	W = WATER			

