

# PCC1730LJ-\_\_\_\_

## LOCKJAW SECURITY COVER

17" x 30" x 2"

(For actual dimensions see drawing)

### SEE LOCKJAW PART NUMBER CONFIGURATION ON NEXT PAGE

Polymer Concrete Cover, WUC 3.6, ANSI/SCTE 77-"T22/32K," Non-Skid Surface, LockJaw Security Cover

### LOAD RATINGS

Incidental Traffic - Parking Lot, Sidewalk  
Conforms to:

- WUC 3.6
- ASTM C 857
- ANSI/SCTE 77

### FEATURES:

- USDA/RUS Approved
- UL Classified Polymer Concrete
- Shipped assembled
- TDG Security Bolts
- Keyhole Dirt Plugs

**newbasis**  
Composites for Infrastructure

2626 Kansas Avenue  
Riverside, California 92507

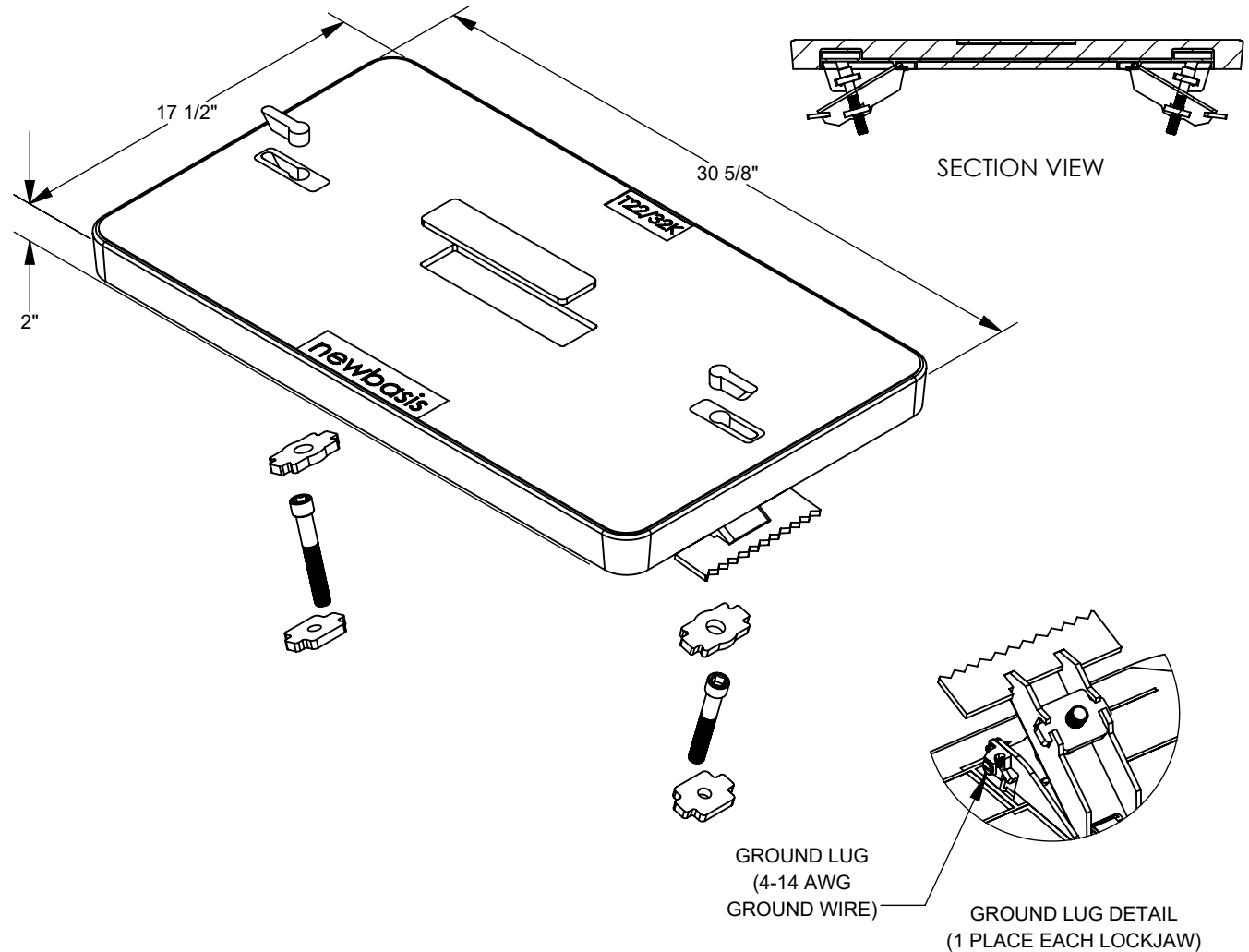
951.787.0600

951.787.0632 (fax)

info@newbasis.com

newbasis.com

**lockjaw**  
STOP COPPER THEFT



Rev: A.0

# PCC1730LJ- \_ \_ \_ \_ LOCKJAW SECURITY COVER



## AVAILABLE CONFIGURATIONS

|              | Cover Marking                   | Security Bolt Type          | Existing Box Material       | Extras*                           |
|--------------|---------------------------------|-----------------------------|-----------------------------|-----------------------------------|
| PCC1730 LJ - | —                               | —                           | —                           | —                                 |
|              | <b>X</b> = TBD / Don't Know Yet | <b>X</b> = 5 Point STANDARD | <b>P</b> = Polymer Concrete | <b>X</b> = Standard,<br>No Extras |
|              | <b>B</b> = BLANK                | <b>3</b> = 3 Point Bolt     | <b>C</b> = Concrete         |                                   |
|              | <b>R</b> = RECESS for NamePlate | <b>7</b> = 7 Point Bolt     |                             |                                   |
|              | <b>C</b> = Custom**             | <b>9</b> = 9 Point Bolt     |                             | <b>C</b> = Custom**               |
|              | <b>A</b> = CATV                 |                             |                             |                                   |
|              | <b>D</b> = BROADBAND            |                             |                             |                                   |
|              | <b>E</b> = ELECTRIC             |                             |                             |                                   |
|              | <b>F</b> = FIBER OPTIC          |                             |                             |                                   |
|              | <b>G</b> = GROUND               |                             |                             |                                   |
|              | <b>I</b> = ILLUMINATION         |                             |                             |                                   |
|              | <b>L</b> = LIGHTING             |                             |                             |                                   |
|              | <b>O</b> = COMMUNICATIONS       |                             |                             |                                   |
|              | <b>P</b> = TELEPHONE            |                             |                             |                                   |
|              | <b>H</b> = TRAFFIC              |                             |                             |                                   |
|              | <b>S</b> = STREET LIGHTING      |                             |                             |                                   |
|              | <b>T</b> = TRAFFIC SIGNAL       |                             |                             |                                   |
|              | <b>W</b> = WATER                |                             |                             |                                   |

