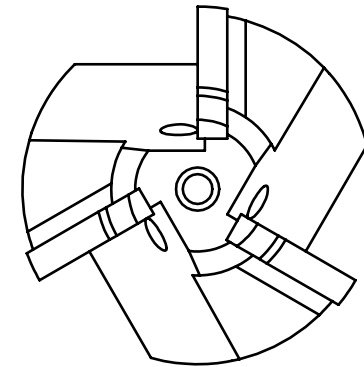
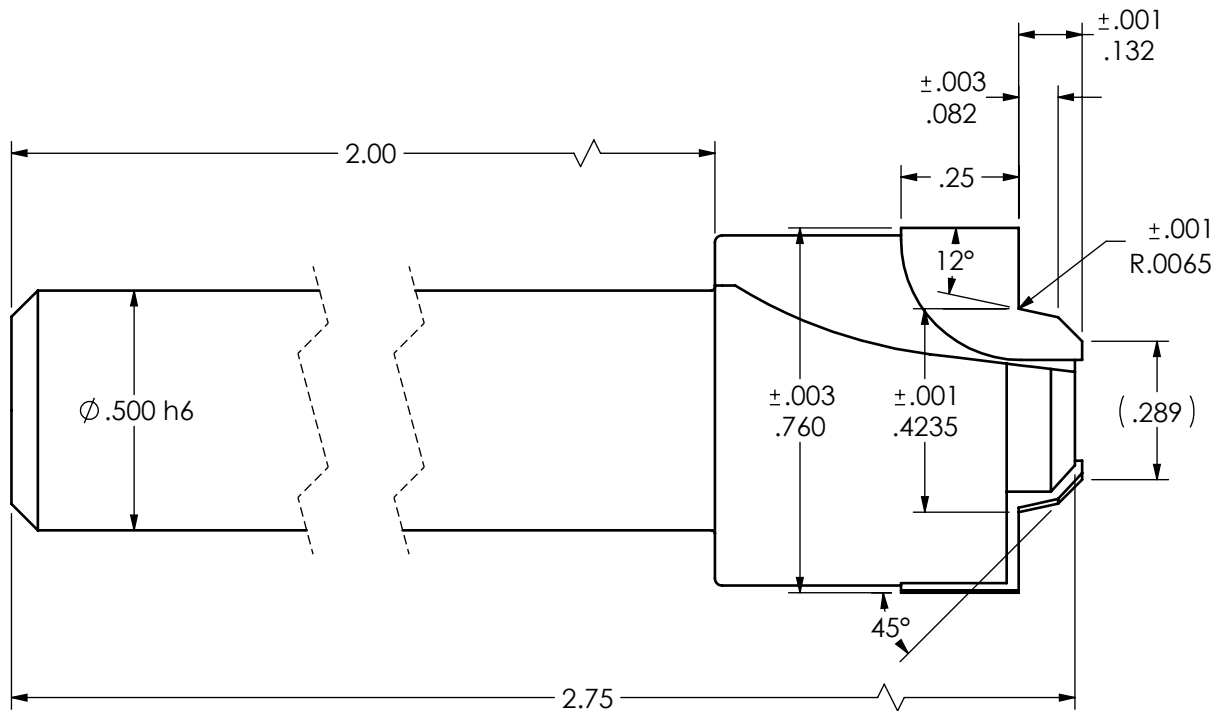
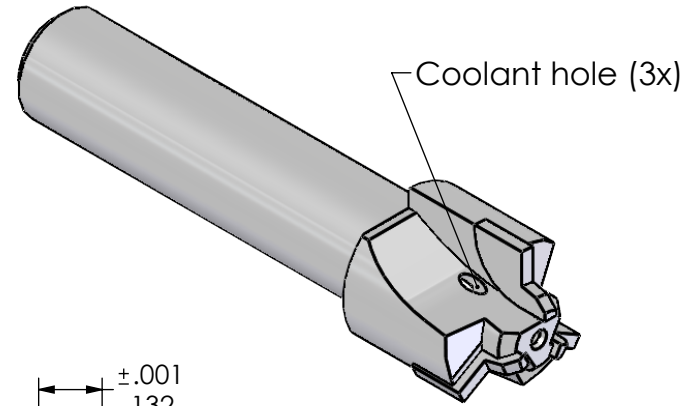


TOOL#	EDP#	COATING
SAEJ1926-03X	406802	NONE
SAEJ1926-03XA	406803	*AlTiN
*AlTiN - Highly recommended for cutting steel		

Thread	Minor Ø	Drill Depth
3/8-24 UNF-2B	.330/.340	.472 min.

Also for MS16142



3 FLUTES

TITLE: Porting Tool
Customer Print

MATERIALS:
1. 4140 HT 47-50 RC
2. Brazed Carbide Inserts

TOLERANCES:
.x = ±0.030
.xx = ±0.010
.xxx = ±0.005
Deg. = ±0.25°
TIR = 0.0005

DOC: 10/16/2023
Scale: 5:2
TIR 0.0005
Drawn: DNC



SCIENTIFIC CUTTING TOOLS, INC.
 SIMI VALLEY, CA - WEB: WWW.SCT-USA.COM
 PHONE: (805)584-9495 - TOLL FREE: (805)383-2244
 EMAIL: ENGINEERING@SCT-USA.COM