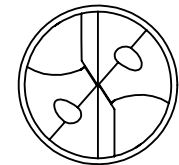
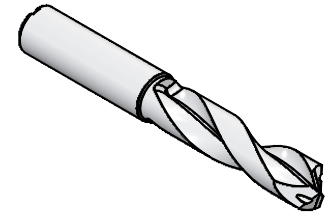
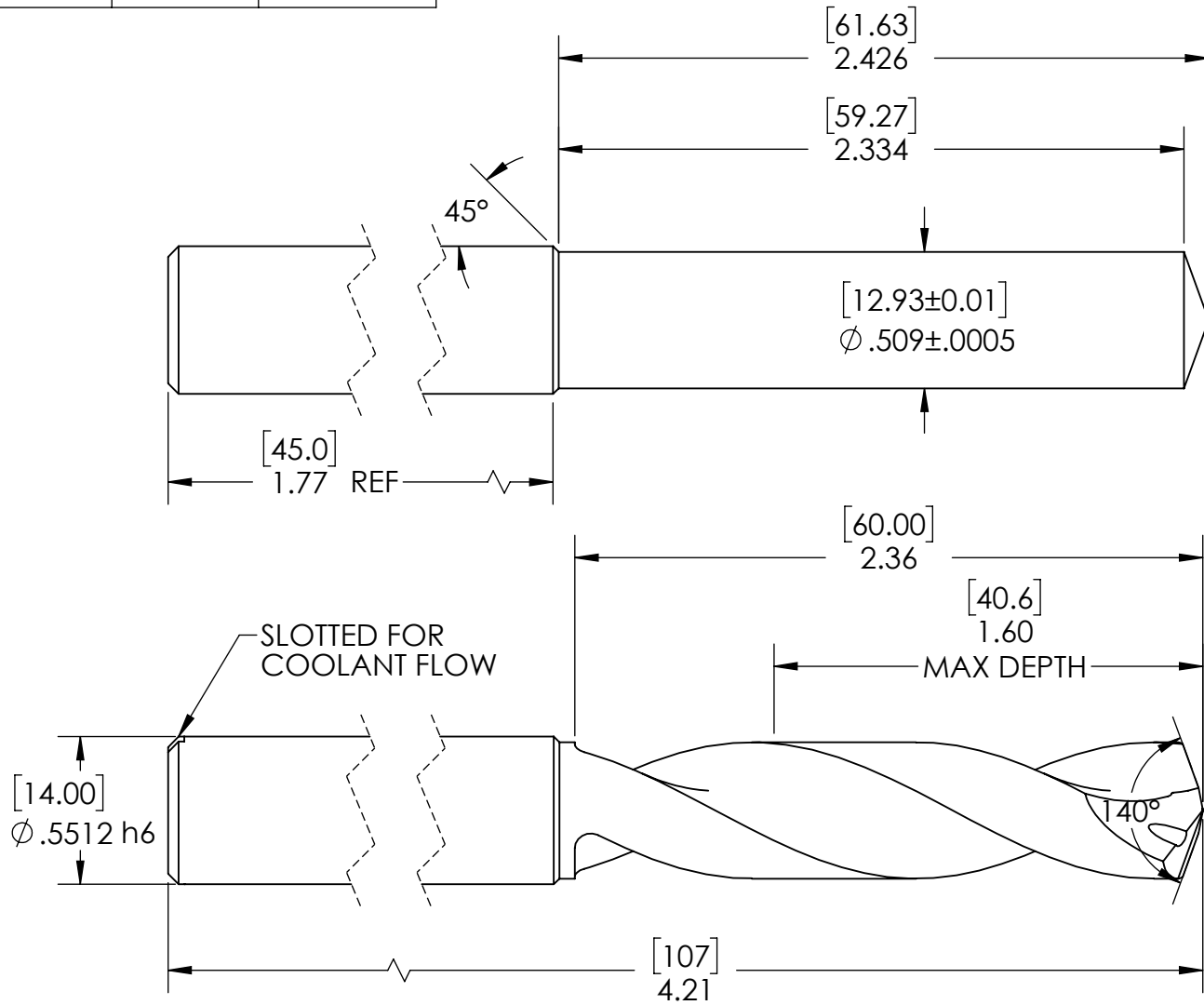


TOOL#:	EDP#:	COATING
DFX3-509A	407008	ALTIN+



TITLE: COOLANT THRU TAP DRILL

MATERIALS

- 14MM x 107 W/HOLES
-
-

TOLERANCES

INCH	METRIC
.x = ± 0.030	.x = ± 0.25
.xx = ± 0.010	.xx = ± 0.127
.xxx = ± 0.005	.xxx = ± 0.013
.xxxx = ± 0.0005	.xxx = ± 0.013
Deg. = $\pm 0.25^\circ$	Deg. = $\pm 0.25^\circ$

DOC: 07/24/2024

Drawn: NAH
Scale: 3:2
SCT USE ONLY

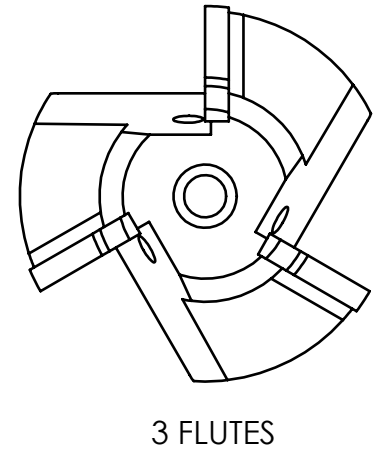
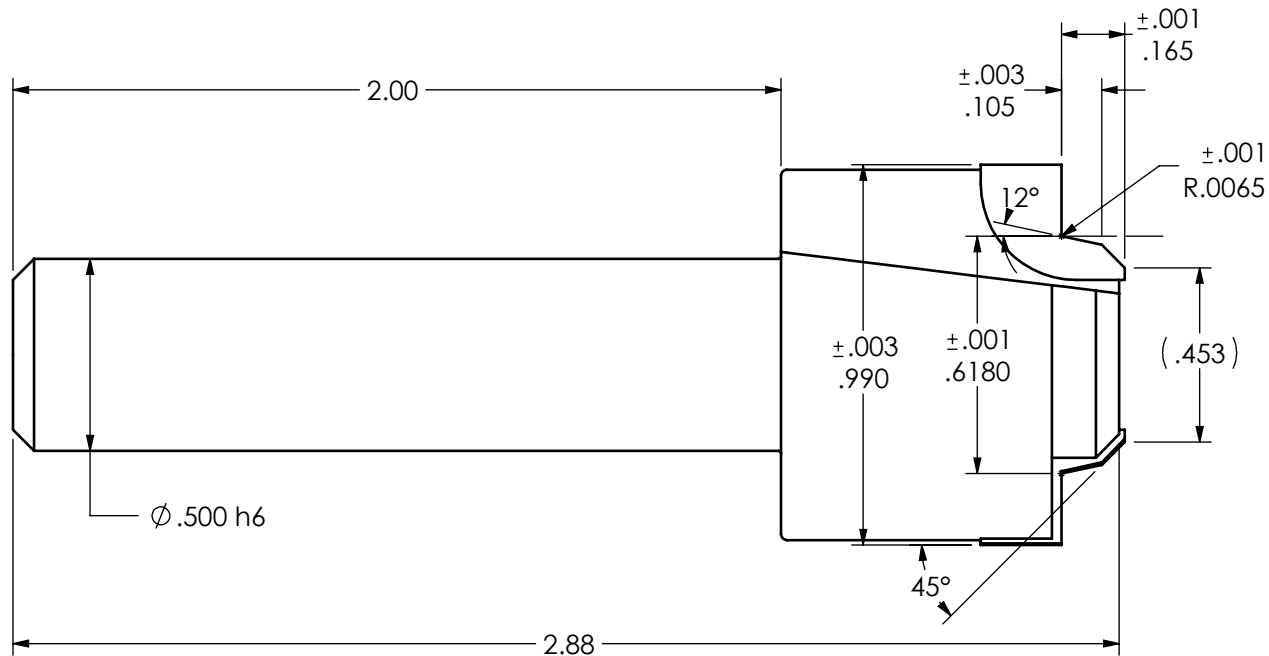
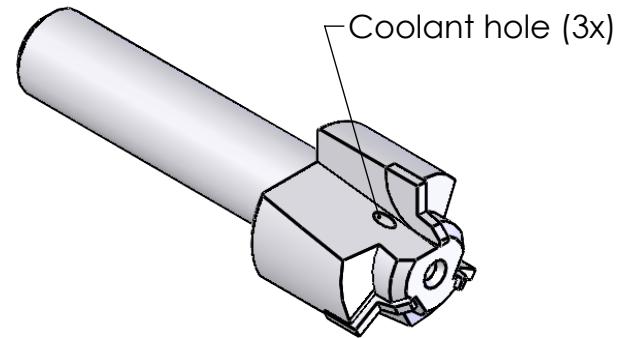


SCIENTIFIC CUTTING TOOLS, INC.
SIMI VALLEY, CA • WEB: WWW.SCT-USA.COM
PHONE: (805)584-9495 • TOLL FREE: (805)383-2244
EMAIL: ENGINEERING@SCT-USA.COM

TOOL#	EDP#	COATING
SAEJ1926-06X	406808	NONE
SAEJ1926-06XA	406809	*AlTiN
*AlTiN - Highly recommended for cutting steel		

Thread	Minor Ø	Drill Depth
9/16-18 UNF-2B	.502/.515	.610 min.

Also for MS16142



TITLE: Porting Tool
Customer Print

MATERIALS:
1. 4140 HT 47-50 RC
2. Brazed Carbide Inserts (3x)

TOLERANCES:
.x = ±0.030
.xx = ±0.010
.xxx = ±0.005
Deg. = ±0.25°
TIR = 0.0005

DOC: 11/07/2023
Scale: 2:1
Drawn: DNC

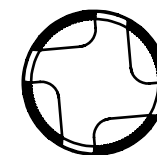
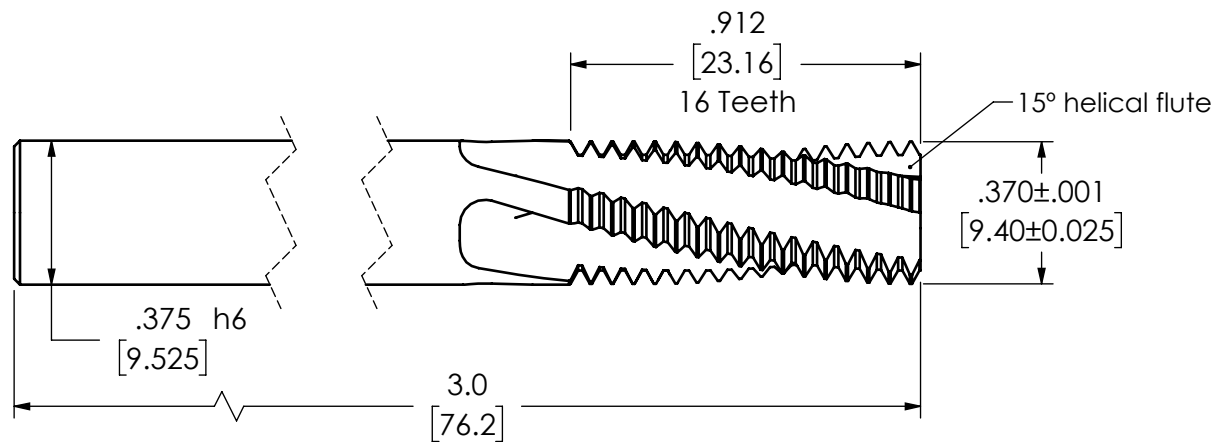
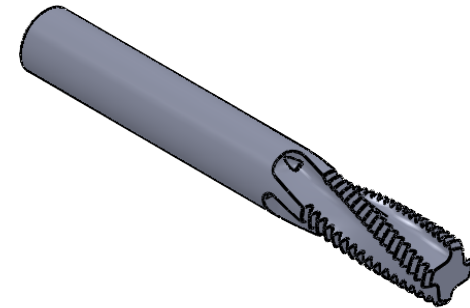
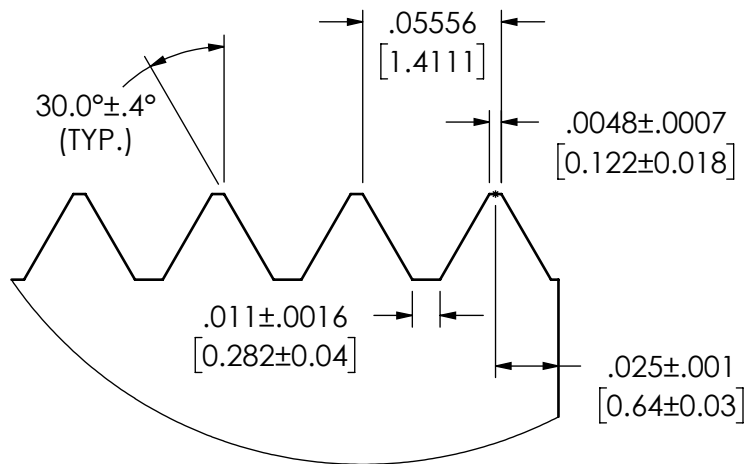
TIR 0.0005 max.



SCIENTIFIC CUTTING TOOLS, INC.
 SIMI VALLEY, CA - WEB: WWW.SCT-USA.COM
 PHONE: (805)584-9495 - TOLL FREE: (805)383-2244
 EMAIL: ENGINEERING@SCT-USA.COM

TOOL#	EDP#	COATING
TMI370-18H	103015	NONE
TMI370-18HA	103033	*AlTiN

*AlTiN - Highly recommended for cutting steel



4 FLUTES

TITLE: HELICAL THREAD MILL	MATERIALS:	INCH:	METRIC:	DOC:04/26/23	.0005 [.013] TIR	Scientific Cutting Tools Simi Valley, California 93065 (805) 584-9495~FAX(805)584-9629 E-Mail: engineering@sct-usa.com www.sct-usa.com
SCT INTERNAL USE ONLY	1. 3/8x3.0 S.M. CARBIDE	.x = ±0.030	.x = ±0.25	SCALE: 2:1	15° HELICAL FLUTE	
DUAL DIMENSION PRINT		.xx = ±0.010	.xx = ±0.127	DRAWN: DNC		
DWG#: TMI370-18H Tool Print		.xxx = ±0.005	.xxx = ±0.13	CHECK: DNC		
		.xxxx = ±0.0005	Deg. = ±0.25°			