

**AUTOMATIC BEST BATTERY
SELECTOR**

INSTALLATION & OPERATION

**BBS-4800
BBS-4800E**

SENS part no:	101312
Document revision:	K
DCN No.	107455
Date	4/2/18



1840 Industrial Circle
Longmont, CO 80501
Fax: (303) 678-7504
Phone(303) 678-7500
Email: service@sens-usa.com
Web: www.sens-usa.com

Installation or service questions? Call SENS at 1-800-742-2326 (303-678-7500) between 8 a.m. and 5 p.m. (Mountain Time) Monday through Friday, or visit our website.

Copyright © Stored Energy Systems LLC 2010

IMPORTANT SAFETY INSTRUCTIONS FOR INSTALLER AND OPERATOR

1. **SAVE THESE INSTRUCTIONS.**
2. **DO NOT EXPOSE THIS PRODUCT TO RAIN OR SNOW.**
3. Use of an attachment not recommended or sold by SENS may result in a risk of fire, electric shock, or injury to persons.
4. **ONLY TRAINED AND QUALIFIED PERSONNEL MAY INSTALL AND SERVICE THIS PRODUCT.**
5. Do not operate the product if it has received a sharp blow, been dropped, or otherwise damaged in any way; shut off power at the branch circuit protectors and have the unit serviced or replaced by qualified personnel.
6. **WARNING: RISK OF EXPLOSIVE GASES**
 - A. **WORKING IN THE VICINITY OF A LEAD-ACID OR NICKEL-CADMIUM BATTERY IS DANGEROUS. STORAGE BATTERIES GENERATE EXPLOSIVE GASES DURING NORMAL BATTERY OPERATION. FOR THIS REASON, IT IS OF UTMOST IMPORTANCE THAT EACH TIME BEFORE USING THIS PRODUCT, YOU READ THIS MANUAL AND FOLLOW THE INSTRUCTIONS EXACTLY.**
 - B. To reduce the risk of battery explosion, follow these instructions and those published by the battery manufacturer and the manufacturer of any equipment you intend to use in the vicinity of a battery. Review cautionary markings on these products and on the engine.
7. **PERSONAL PRECAUTIONS**
 - A. Someone should be within range of your voice or close enough to come to your aid when you work near a storage battery.
 - B. Have plenty of fresh water and soap nearby in case battery electrolyte contacts skin, clothing, or eyes.
 - C. Wear complete eye protection and clothing protection. Avoid touching eyes while working near a storage battery.
 - D. If battery electrolyte contacts skin or clothing, wash immediately with soap and water. If electrolyte enters eye, immediately flood the eye with running cold water for at least 10 minutes and get medical attention immediately.
 - E. **NEVER** smoke or allow a spark or flame in vicinity of battery or engine.
 - F. Be extra cautious to reduce risk of dropping a metal tool onto battery. It might spark or short circuit battery or other electrical part that may cause explosion. Using insulated tools reduces this risk, but will not eliminate it.
 - G. Remove personal metal items such as rings, bracelets, necklaces, and watches when working with a storage battery. A storage battery can produce a short circuit current high enough to weld a ring or the like to metal, causing a severe burn.

A
**Applicable
Drawings and
Documents**

<u>Drawing Description</u>	<u>Drawing number</u>
• Wiring Diagram	See Section C.7 below
• Mounting Hole Locations	See Section C.8 below

B
**System
Description**

B.1 General

The BBS-4800 automatic best battery selector is a diode isolator that connects two independent batteries to one or two starting motors (the load). The purpose of this isolation system is to allow current to flow from the battery in the best condition to the load, and to prevent a bad battery from discharging a good one. Current will be drawn equally from both batteries if they are in a similar state of charge. The BBS-4800 is designed for negative ground systems, and is not suited for electrical systems with a positive ground.

B.2 Model Numbers

The BBS-4800 is available in two different model numbers:

BBS-4800 - standard BBS-4800

BBS-4800E - includes California OSHPD Special Seismic Certification Pre-Approval labeling

B.3 Features

- Automatic operation with no maintenance requirements
- Two high-current diodes with low forward voltage drop for high system efficiency
- Large aluminum heatsinks to ensure reliable cooling with no airflow
- SENS high-quality rugged sheet metal enclosure with integral mounting flanges
- Easy and convenient DC cable connection access via hinged front door
- Flexibility in type and orientation of DC cable connections
- Large size 2-inch conduit holes for ease of DC cable routing
- Ground terminal lug, front door ground strap, and Nomex insulation for safety

C.1 Wall Mounting

Mount the BBS-4800 by its mounting flanges on a suitable wall or bulkhead. See Section C.8 for mounting hole locations.

C.2 DC Cable Connections

Open the BBS-4800 front door, and make heavy-duty lug connections directly to each of the three heatsinks using 1/4-20 locking hardware and oxide inhibitor conductive grease. An oxide inhibitor grease should be applied to the metal surface contact areas of each heatsink and lug. **DO NOT PLACE ANY HARDWARE BETWEEN THE LUG AND THE HEATSINK. THE BOTTOM SURFACE OF THE LUG SHOULD MAKE A SOLID MECHANICAL AND ELECTRICAL CONNECTION TO THE HEATSINK.** Six sets of locking hardware are included so that one or more lugs may be connected to each heatsink. One-hole or two-hole lugs may be used as desired. Recommended placement of each lug is approximately in the middle of the heatsink to which it is attached, equidistant from each end of the heatsink. It is possible to use either the front-facing or side-facing channels for mounting hardware on all three heatsinks. The front door should always remain closed and latched during normal operation.

C.3 Terminal Definitions

- "BATTERY A" and "BATTERY B" - INPUTS - from positive battery terminals
- "STARTER" - OUTPUT - to one or two starters

C.4 DC Cable Specifications

Use wire, connectors, and hardware in accordance with national and local codes:

- a. Gauge: up to single 350MCM, or double 4/0 AWG (0000), stranded copper
- b. Temperature Rating: 90C minimum
- c. Style: THHN, RHH, RHHW, or SIS (typical)
- d. Length: 6 feet to source, 6 feet to load (24 feet total, round-trip) at specified voltage drop
- e. Wiring Space: 5 inches minimum (entry at right angle to termination), per NFPA 70 requirement

C
Installation
(Continued)

- f. Conduit Holes: four provided (two input, two output), 2" trade size (meets NFPA 70 wire fill requirements for two 4/0 AWG insulated conductors)

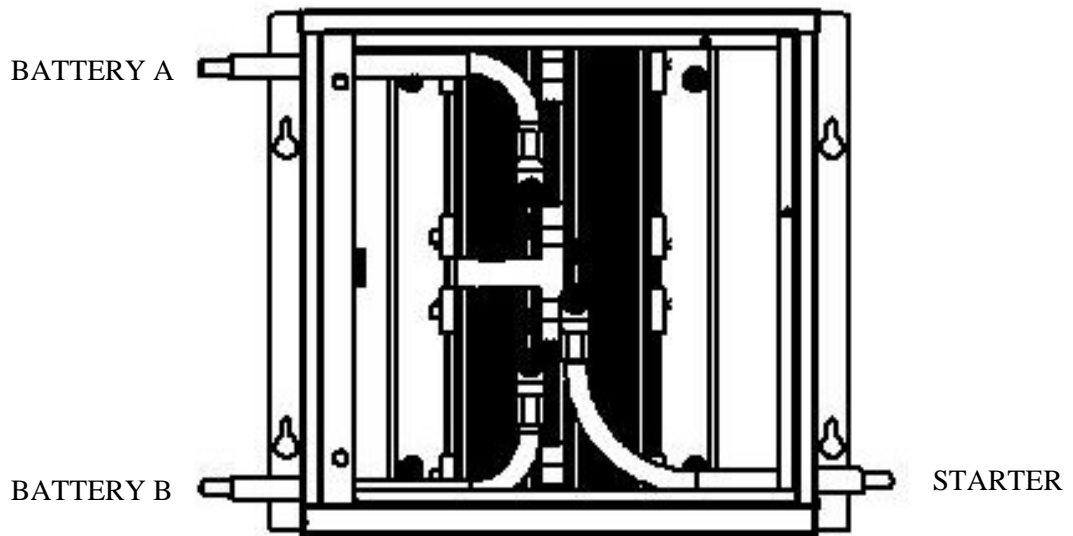
C.5 Grounding

For system installations that require connection of the BBS-4800 enclosure to earth ground, use the ground lug installed inside the BBS-4800 on the rear panel. The ground lug accepts wire sizes #14AWG through #2AWG.

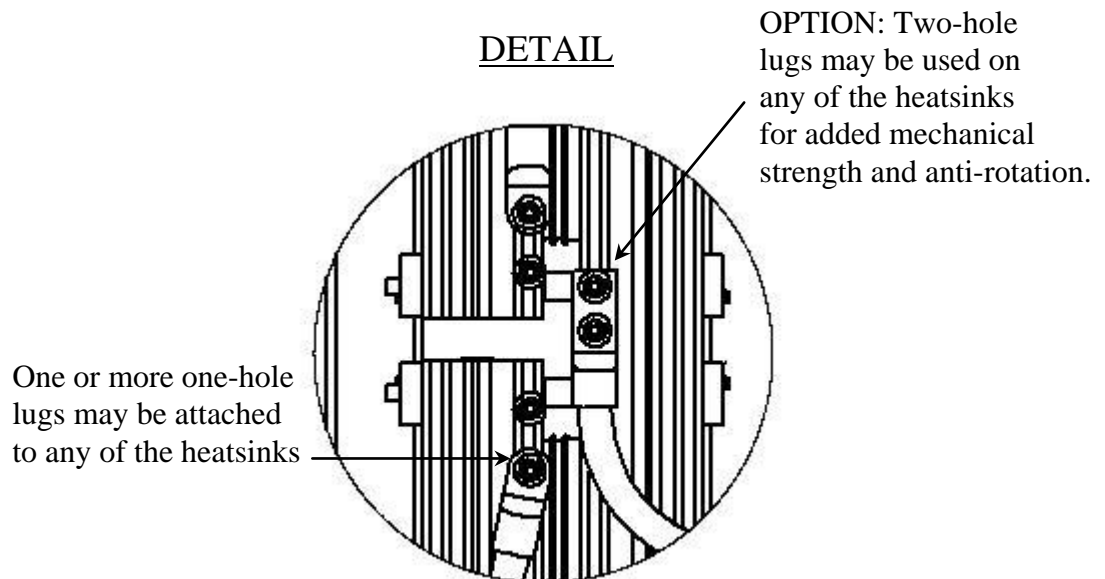
C.6 Top and Bottom Clearance

The BBS-4800 diodes are cooled by the mass of each heatsink, and therefore no airflow is required across the heatsinks. It is recommended but not required to allow 4 inches minimum clearance above the top cover and below the bottom cover of the BBS-4800 enclosure. The BBS-4800 should be installed indoors or in a protected area, or if installed outdoors it should be covered to prevent rain or any other liquids or foreign objects from falling down into the enclosure.

C.7 Wiring Diagram

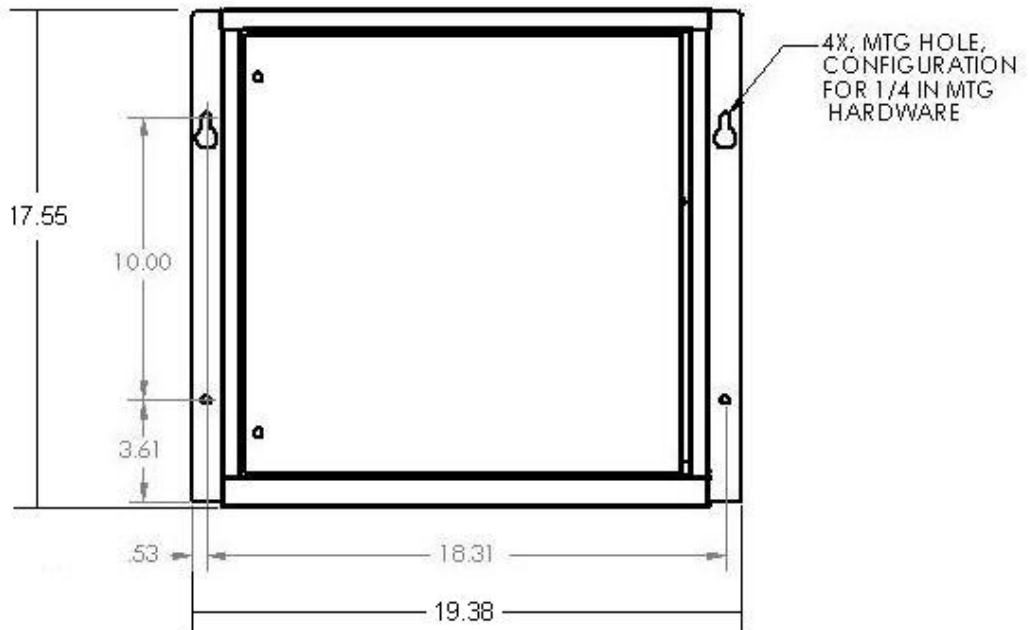


DETAIL



C
Installation
(Continued)

C.8 Mounting Hole Locations



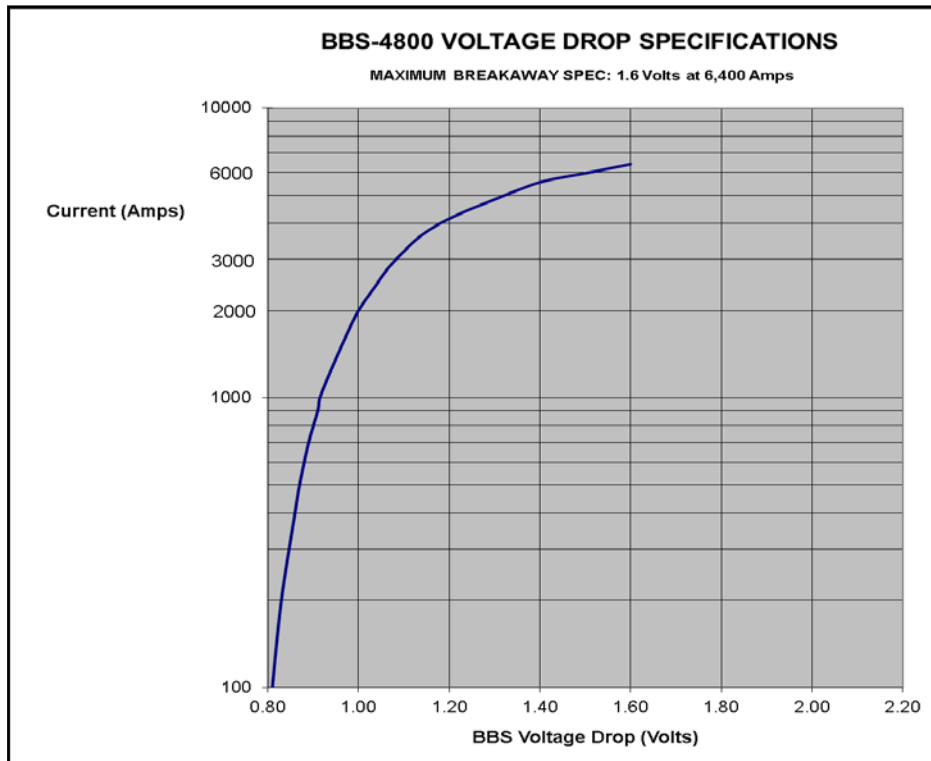
D
Operation and
Specifications

D.1 BBS-4800 Operation

The BBS-4800 operates automatically and without attention from the user. For continued operation within specification, DC cable connections should be periodically checked to assure that no hardware has loosened, and that all metal is free from corrosion.

D.2 Breakaway Current Specification

Maximum breakaway current (approximately 1 second at engine start-up) is 6400Amps, with a maximum 1.6 volt drop as measured at the DC connections at the BBS heatsinks.



D
Operation and
Specifications
(Continued)

D.3 Rolling Current Specifications

See specifications in the table below, and also in a bar graph at the end of this manual.

Pulse Duration	Ambient Temperature	Rolling Current Specification
90 seconds	50C (122F) 25C (77F) -18C (0F)	4,200 Amps 4,950 Amps 6,150 Amps
60 seconds	50C (122F) 25C (77F) -18C (0F)	4,500 Amps 5,350 Amps 6,600 Amps
30 seconds	50C (122F) 25C (77F) -18C (0F)	4,950 Amps 5,800 Amps 7,150 Amps
NFPA 110 15 on, 15 off 90 sec total	50C (122F) 25C (77F) -18C (0F)	3,450 Amps 4,200 Amps 5,400 Amps

D.4 Continuous Current Specifications

The BBS-4800 may be operated in continuous current mode. Maximum continuous current specifications are as follows:

- 150 Amps DC continuous at 50C (122F) ambient temperature
- 225 Amps DC continuous at 25C (77F) ambient temperature
- 225 Amps DC continuous at -18C (0F) ambient temperature

D.5 Operating Voltage 0 to 120VDC Nominal

The BBS-4800 is rated for operation in DC systems up to 120VDC nominal, including battery systems that have actual DC system voltages that may be as high as 160 volts under certain operating conditions. The BBS-4800 is designed to operate reliably and safely in these types of systems.

D.6 Operation With an Engine-Driven Alternator

When a BBS is installed in an engine starting system with an engine-drive alternator, observe the following practices:

- For engine starting systems with a BBS, two battery stacks ("Battery A" and "Battery B"), and a dedicated battery charger for each battery stack, it may not be necessary to use an alternator
- For systems that require an alternator, the following configurations may be used:
 - (1) Connect one alternator to "Battery A" only
 - (2) Connect one alternator to "Battery B" only
 - (3) Connect one alternator to "Battery A" and a second alternator to "Battery B." It is important that "Battery A" & "Alternator A" are electrically isolated from "Battery B" & "Alternator B." This is necessary for proper BBS operation, which depends on two separate sides of the system and nothing such as an alternator to create a short across the BBS.

DO NOT CONNECT AN ALTERNATOR TO THE STARTER

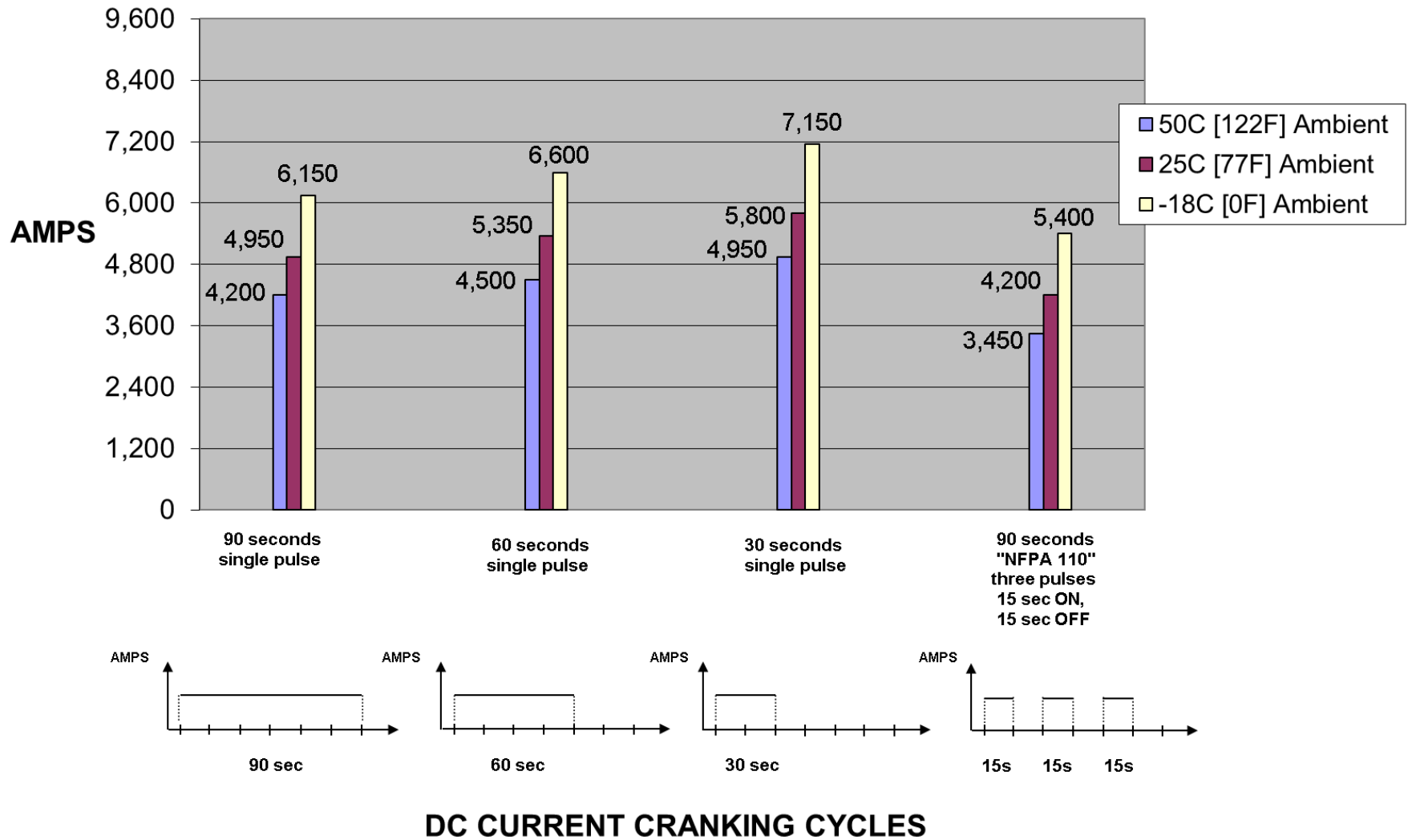
DO NOT CONNECT AN ALTERNATOR TO BOTH BATTERIES

DO NOT USE ANY TYPE OF DIODE OR DIODE SPLITTER BETWEEN ALTERNATOR AND BATTERY.

D.7 Installation Questions or Failure(s)

Contact SENS at 1-800-742-2326, 8 a.m. - 5 p.m., (Mountain Time) Monday - Friday.

SENS BBS-4800 ROLLING CURRENT SPECIFICATIONS



Copyright © Stored Energy Systems LLC 2010. Installation or service questions? Call SENS at 1-800-742-2326, 8am-5pm Mountain, M-F