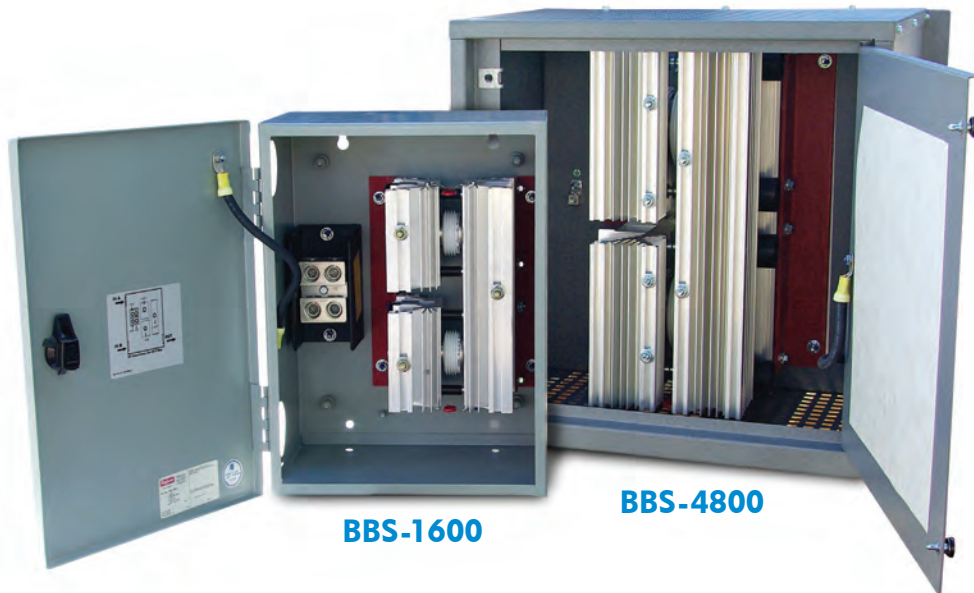


Best Battery Selector BBS-1600 & BBS-4800

**Cross-couples Two Batteries to Two Independent
Loads for Highest DC System Reliability**



- For dual battery, dual or single load configurations, negative ground system
- Delivers current to both loads from either one or both batteries
- Isolates one battery from the other
- All solid-state design, oversized heat sinks assure reliable operation
- IBC seismic certified

SENS Best Battery Selectors (BBS) deliver power from two different batteries to one or two loads, such as engine starter motors or electrical switchgear. In case one battery is weak or failed, power automatically flows to both starters or loads from the other battery.

Although the BBS can deliver battery power from either battery to either load, it prevents parallel connection of two batteries so that the failure of one battery does not take down the other.

All solid-state design uses large diodes mounted on generously sized heat sinks. There are no moving parts or need for control electronics.

Two units are available, both suitable for a wide range of loads in applications ranging from 12 volts to 120 volts DC nominal. The BBS-1600 is rated for 2500 peak amps (for engine starting) and 50 amps for continuous loads. The BBS-4800 is rated for 6400 peak amps and 150 amps for continuous loads.



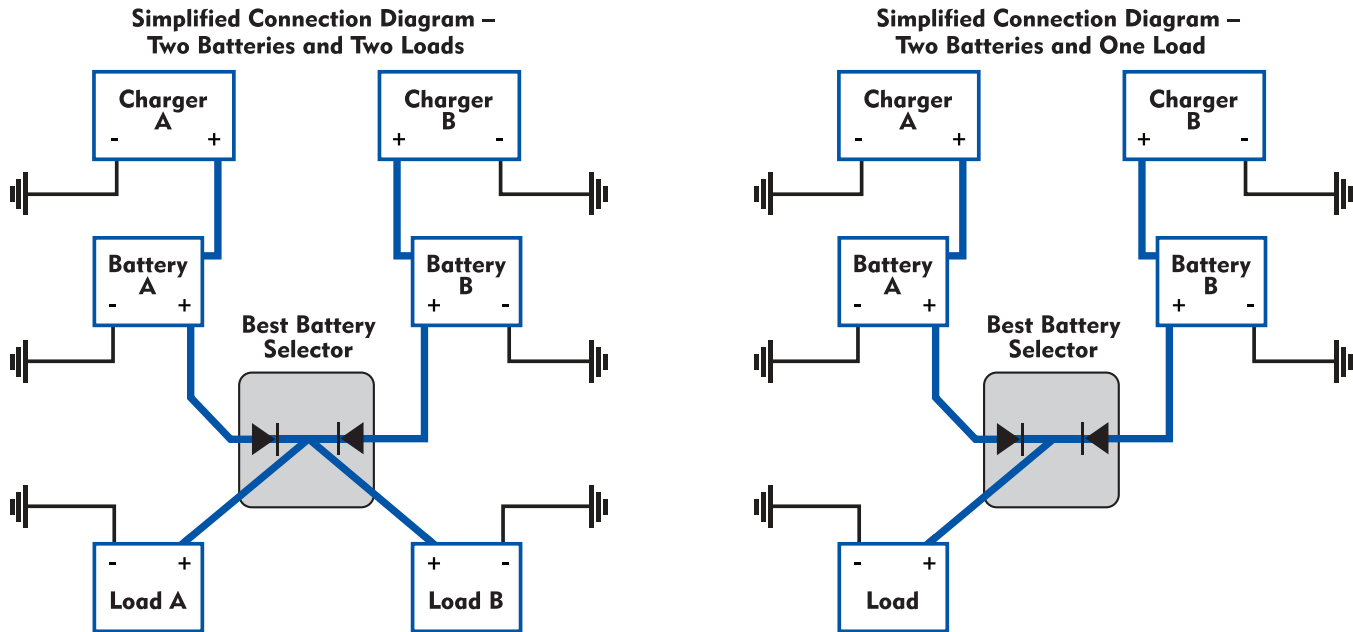
Specifications

111050 F

Specifications		
Model	BBS-1600	BBS-4800
Electrical configuration	Two diodes, common cathode, negative ground	
DC system nominal voltage	Up to 120 volts DC	
NFPA Cranking Break-Away	2,500 amps	6,400 amps
BBS 30 sec. rated current	3,200 amps @ -18C 2,150 amps @ +50C	7,150 amps at -18C 4,950 amps at +50C
Engine start duty cycle	90 second continuous duty max	
BBS continuous rated current	50 amps @ +50C	150 amps @ +50C
Wire size	#6 AWG to 250 MCM	#6 AWG to 350 MCM
Dimensions	12.3"W x 8.6"D x 16.3"H	19.4"W x 13.0"D x 17.6"H
Weight	20 lbs / 9.1 kg	55 lbs / 24.9 kg
Transient protection	Large sized MOV	
Seismic Certification	IBC seismic certified to S_{ds} value of 2.28g	

* Diode rating only, not BBS rated output.

Typical Connection Diagrams



During normal operation, current to either a single load or dual loads flows from both chargers and both batteries through the BBS. Should one battery fail (e.g. shorted cell or open circuit) the other battery will continue to power one or both loads automatically and without interruption. The Best Battery Selector (BBS) OR diodes fully isolate a bad battery from the rest of the system.

The BBS must be sized to carry the worst-case loads anticipated from one battery into one load.

For additional application information, see Application Note 16 on the Best Battery Selector product page at sens-usa.com (<http://sens-usa.com/product/best-battery-selector-bbs-1600-bbs-4800/>).



Contact information

For information and service on any SENS product, please contact us at:
 Sales 1.866.736.7872 • 303.678.7500 • Fax 303.678.7504
www.sens-usa.com • info@sens-usa.com
 Stored Energy Systems, LLC
 1840 Industrial Circle, Longmont, CO 80501 USA

