

**STC GROUP LLC AUTOPILOT INSTALLATION
ILLUSTRATED PARTS CATALOG
MODEL PIPER PA-28**

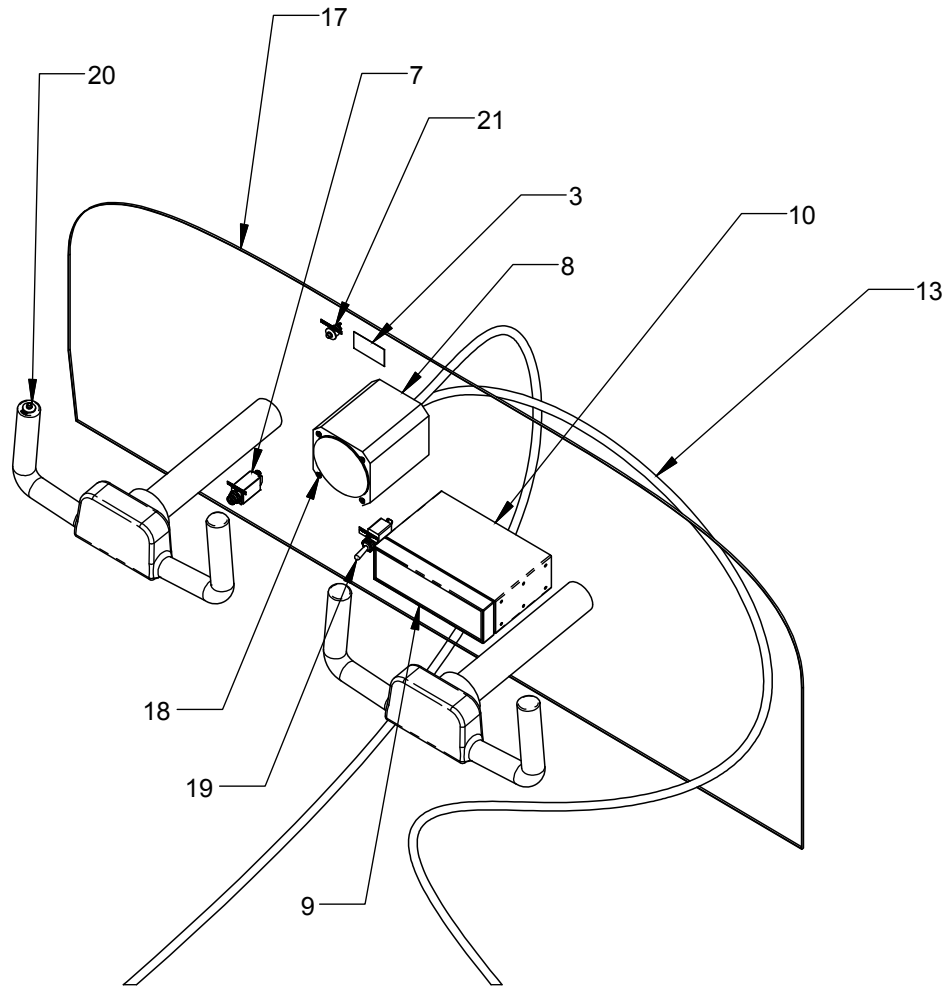


FIGURE 1 - INSTRUMENT PANEL

ITEM NO.	QTY.	PART NUMBER	DESCRIPTION	NOTE	FIG
1	1	1028802	ROLL SERVO INSTALLATION		
2	1	1028801	PITCH SERVO INSTALLATION		
3	1	1006450-1	AP LIMITATIONS PLACARD		1
4	1	1006451-1	PANEL LABELS		1
7	1	7274-2-5	CIRCUIT BREAKER		1
8	1	10000000	CONTROLLER - AUTOPILOT	NOT REQD W/ RACK MT CONTR	1
9	1	20000000	AP CONTROLLER - RACK MOUNT	REQD W/ RACK MT CONTR ONLY	1
10	1	22500000	TRAY	REQD W/ RACK MT CONTR ONLY	1
11	1	30000000	PITCH SERVO - CW ROTATION		
12	1	30000000	ROLL SERVO - CW ROTATION		2
13	1	41000000	WIRE HARNESS ASSY		1
18	4	MS24693-BB26	SCREW ALT P/N: MS35214-25	REQD W/ 9100601-1 CONTR ONLY	1
19	1	MS35058-22	TOGGLE SWITCH	REQD W/ RACK MT CONTR ONLY	1
20	1	MSPS103C2	PUSHBUTTON SWITCH (RED)		1
21	1	MSPS103C0	PUSHBUTTON SWITCH (BLK)		1

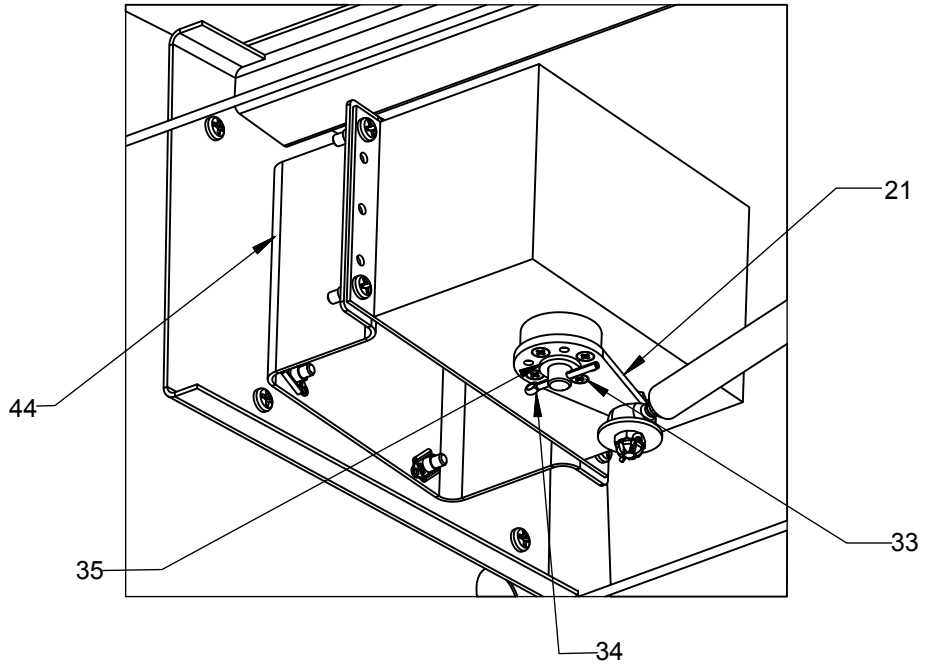


FIGURE 2 - ROLL SERVO INSTL

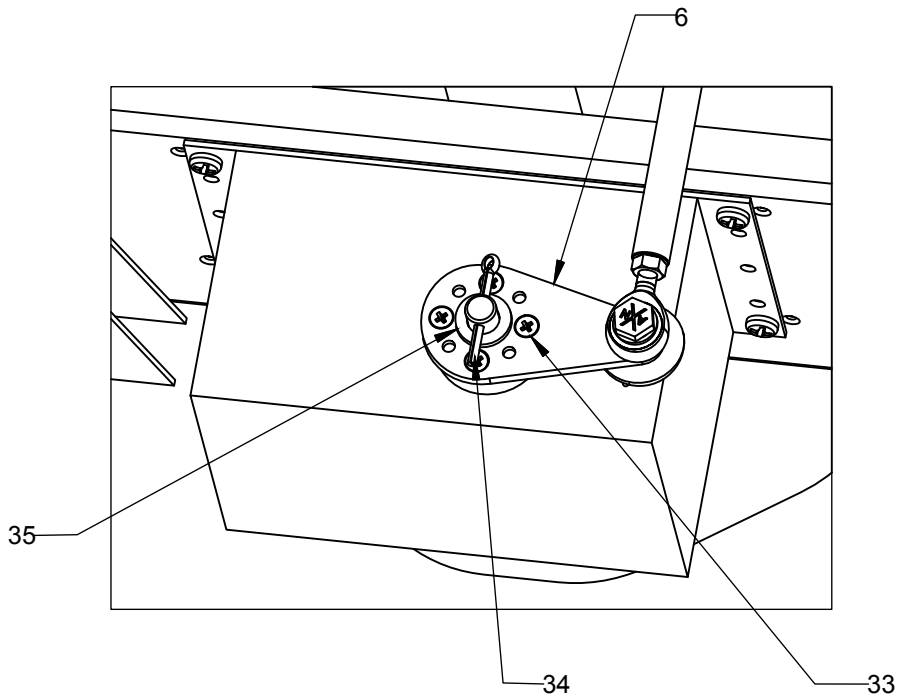


FIGURE 3 - PITCH SERVO INSTL

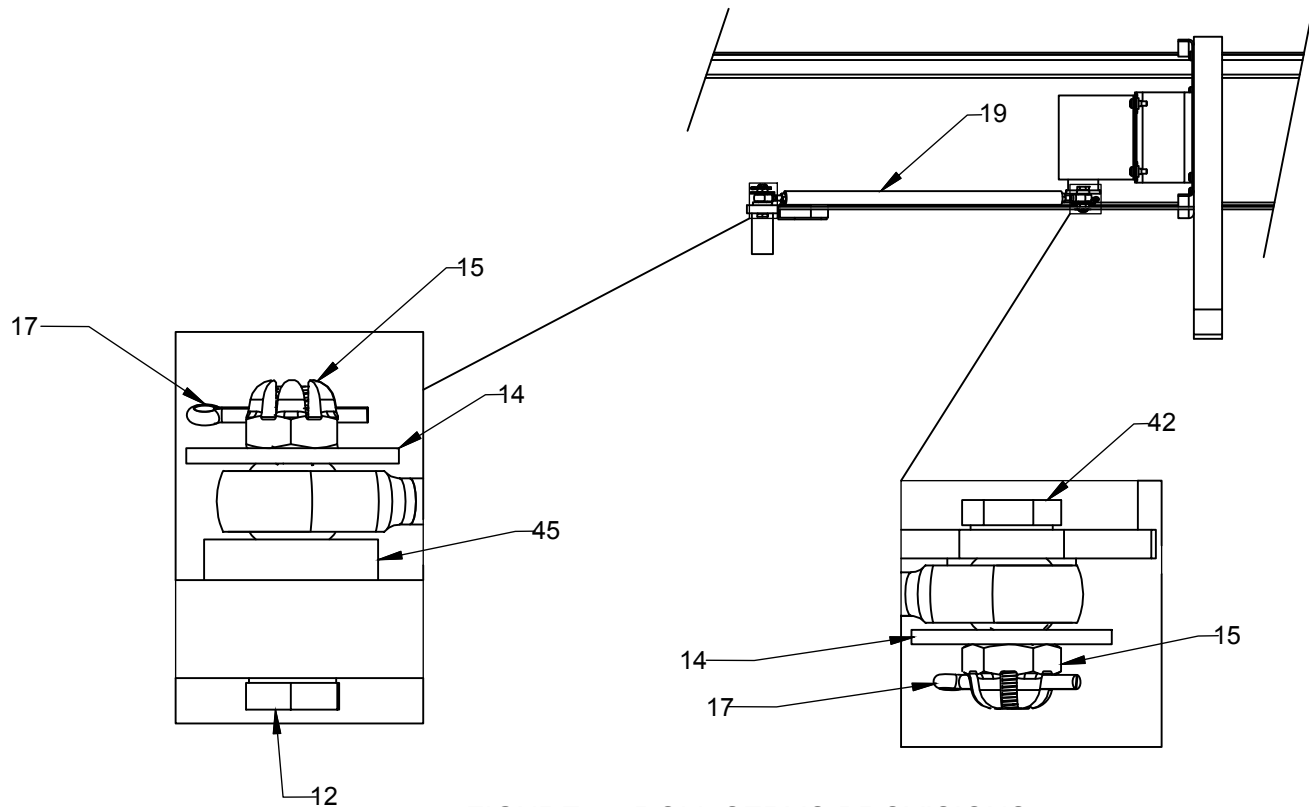


FIGURE 4 - ROLL SERVO PROVISIONS

ITEM NO.	QTY	PART NUMBER	DESCRIPTION	NOTE	FIG
7	1	1028501	BRACKET ASSY - ROLL SERVO		2
12	1	AN3-13			4
14	2	AN970-3	WASHER		4
15	2	AN310-3	NUT - CASTELLATED		4
17	2	MS24665-134	COTTER PIN		4
18	12	MS27039-0807	SCREW 8-32 X .47		2,3,4
19	1	1028705	TUBE ASSY - ROLL SERVO		4
20	1	30000000	ROLL SERVO - CW ROTATION		2
21	1	1006402-3	SERVO ARM	ALT PN: 1006402-5	2,4
33	4	1011-1006-0032	SCRW - METRIC M3x0.5 x 10MM (.394)		2,3
34	1	MS24665-302	COTTER SERVO SAFETY		2
35	1	NAS1149F0563P	WASHER SERVO SAFETY		2
42	1	AN3-7			4
43	4	CN614CR08P	8-32 Clickbond Miniature Fold Over Nutplates		
44	1	1006233-1	BRACKET ASSEMBLY		2
45	1	1006401-1	SPACER		4

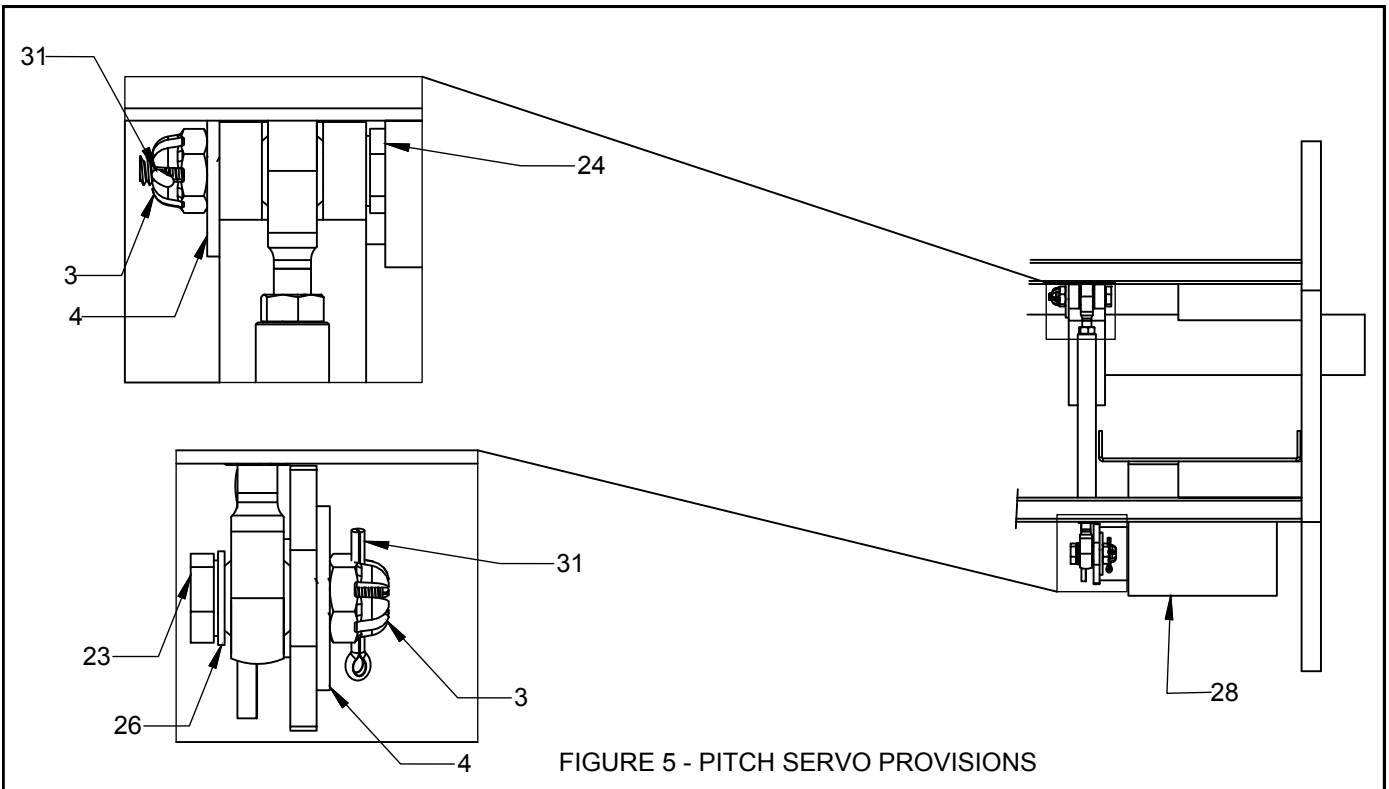


FIGURE 5 - PITCH SERVO PROVISIONS

ITEM NO.	QTY.	PART NUMBER	DESCRIPTION	NOTE	FIG
3	2	AN310-3	NUT - CASTELLATED		5
4	1	NAS1149F0332P	WASHER		5
6	1	901-114	SERVO ARM		3,5
7	1	1028703	BRACKET ASSEMBLY SERVO PITCH		5
15	1	1028701	STABILATOR CLAMP ASM		5
18	8	MS27039-0807	SCREW 8-32 X .47		5
22	1	1028706	TUBE ASSY - PITCH SERVO		5
23	1	AN3-7			5
24	1	AN3-11			5
25	4	CB6009	CLICKBOND NUTPLATE 8-32		5
26	1	AN970-3	WASHER		5
28	1	30000000	PITCH SERVO - CW ROTATION		3,5
31	2	MS24665-134	COTTER PIN		5
33	4	1011-1006-0032	SCRW - METRIC M3x0.5 x 10MM (.394)		2,3
34	1	MS24665-302	COTTER PIN SERVO SAFETY		2,3
35	1	NAS1149F0563P	WASHER SERVO SAFETY		2,3