

FIGURE 1 - INSTRUMENT PANEL

ITEM NO.	QTY.	PART NUMBER	DESCRIPTION	NOTE	FIG
1	1	1006203-1	ROLL SERVO INSTALLATION		
2	1	1006204	PITCH SERVO INSTALLATION		
3	1	1006450-1	AP LIMITATIONS PLACARD		1
4	1	1006451-1	PANEL LABELS		1
7	1	7274-2-5	CIRCUIT BREAKER		1
8	1	10000000	CONTROLLER - AUTOPILOT	NOT REQD W/ RACK MT CONTR	1
9	1	20000000	AP CONTROLLER - RACK MOUNT	REQD W/ RACK MT CONTR ONLY	1
10	1	22500000	TRAY	REQD W/ RACK MT CONTR ONLY	1
11	1	30000000	PITCH SERVO - CW ROTATION		3
12	1	30000000	ROLL SERVO - CW ROTATION		2
13	1	41000010	WIRE HARNESS ASSY		1,2
19	1	MS35058-22	TOGGLE SWITCH	REQD W/ RACK MT CONTR ONLY	1
20	1	MSPS103C2	PUSHBUTTON SWITCH (RED)		1
21	1	MSPS103C0	PUSHBUTTON SWITCH (BLK)		1

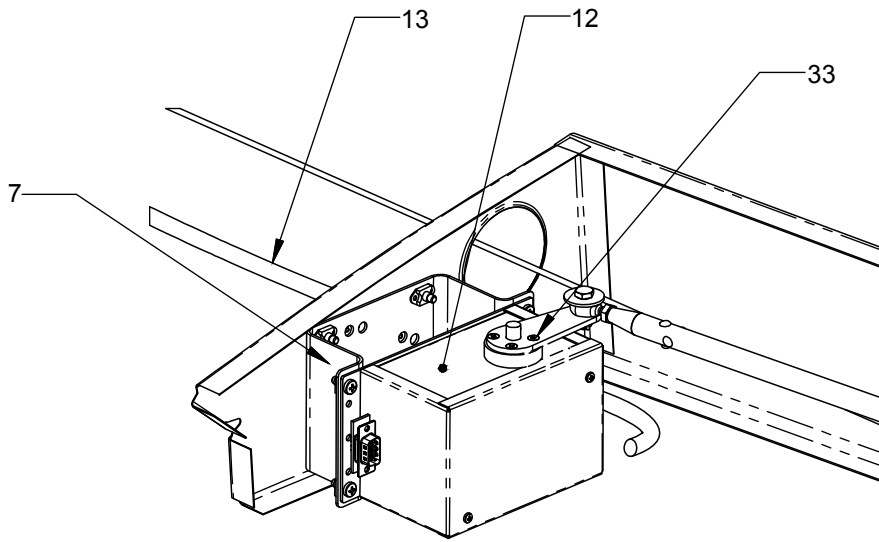


FIGURE 2 - ROLL SERVO INSTL

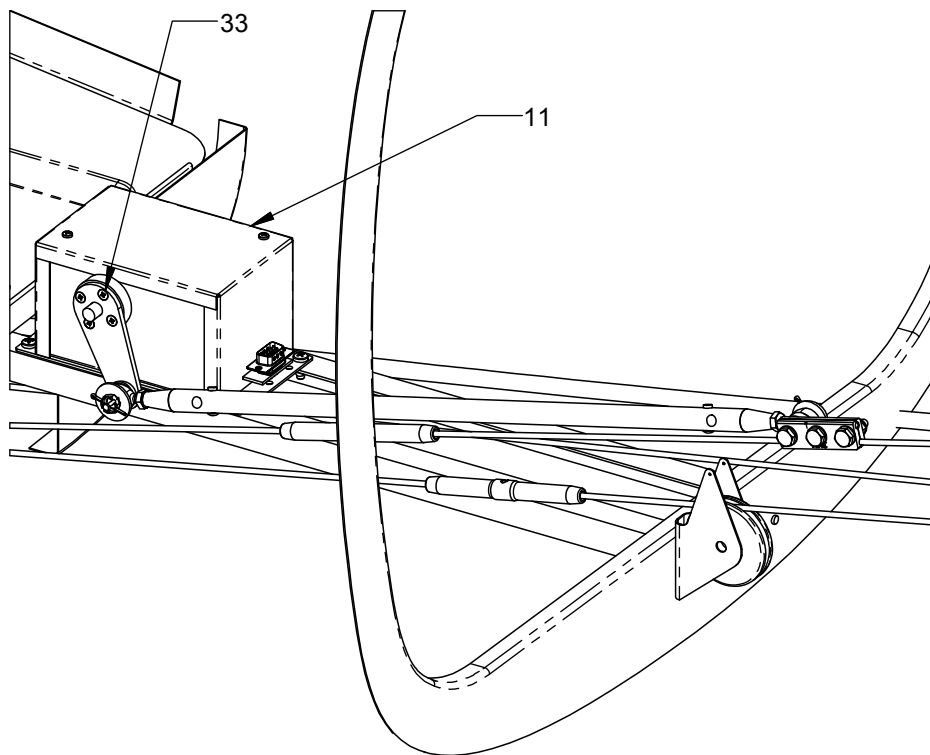


FIGURE 3 - PITCH SERVO INSTL

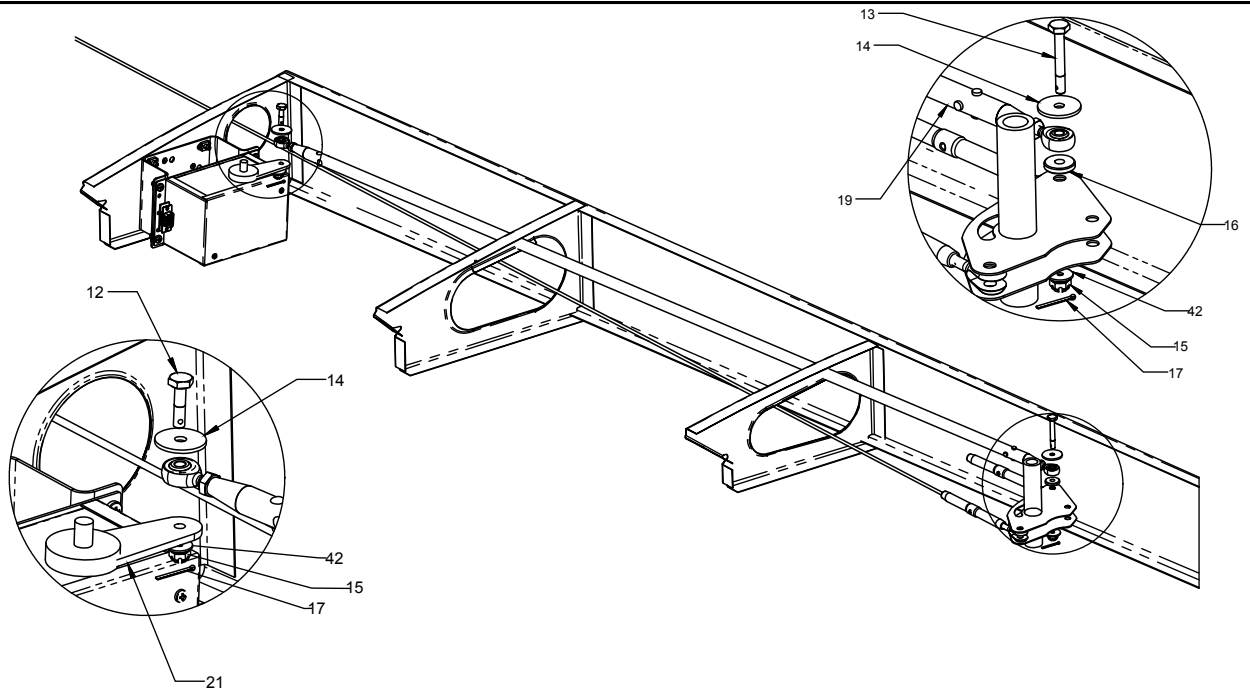


FIGURE 4 - ROLL SERVO PROVISIONS

ITEM NO.	QTY	PART NUMBER	DESCRIPTION	NOTE	FIG
	4	AN525-832R7	WSHR SCREW 8-32 x 7/16		
	1	1006233-1	BRACKET ASSY - ROLL SERVO - M172		
12	1	AN3-6	BOLT 10-32 X .38 GRIP		4
13	1	AN3-13	BOLT 10-32 X 1.00 GRIP		4
14	2	AN970-3	WASHER		4
15	2	AN310-3	NUT - CASTELLATED		4
16	1	1006401-1	SPACER		4
17	2	MS24665-134	COTTER PIN		4
	4	MS27039-0807	SCREW 8-32 X .47		
19	1	1006231-1	TUBE ASSY - ROLL SERVO - M172		4
	1	30000000	ROLL SERVO - CW ROTATION		2
21	1	1006239-1	SERVO ARM		4
33	4	1011-1006-0032	SCRW - METRIC M3x0.5 x 10MM (.394)		2,3,5
	1	10085	#8 PUSH NUT RETAINER		
	1	1006405-1	ROD END THREADED INSERT		
	1	MM-3	AURORA MM SERIES MALE ROD END OR EQUIVLNT		
	1	AN315	JAM NUT		
	2	MS20470AD4-10	RIVET		
	1	MS24665-302	COTTER PIN ROLL SERVO SAFETY		
	1	NAS1149F0563P	WASHER ROLL SERVO SAFETY		
	1	MS21919WDG6	WIRE HARNESS CLAMP		
42	2	NAS1149F0332P	WASHER		
	1	1006233-TM	DRILL TEMPLATE ROLL		

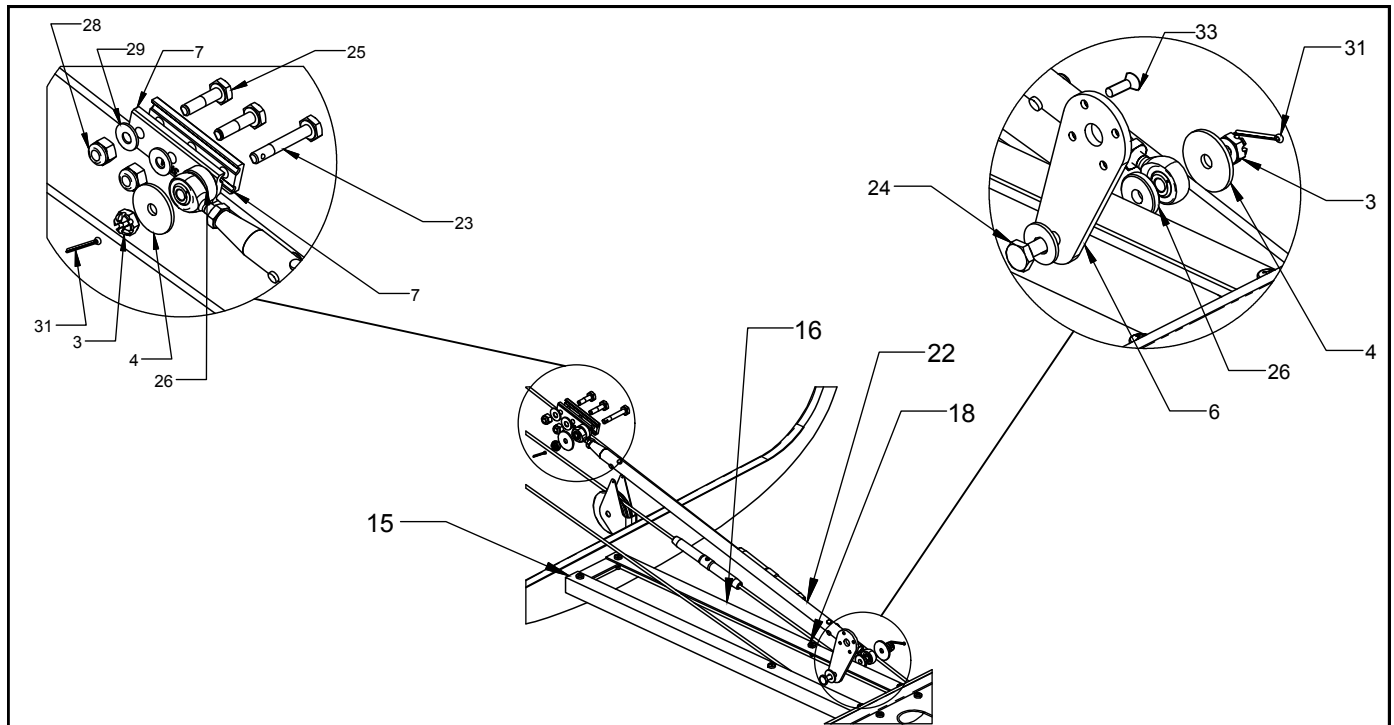


FIGURE 5 - PITCH SERVO PROVISIONS

ITEM NO.	QTY.	PART NUMBER	DESCRIPTION	NOTE	FIG
3	2	AN310-3	NUT - CASTELLATED		5
4	2	AN970-3	WASHER		5
6	1	1006239-1	SERVO ARM		5
7	2	9100606-1	CABLE CLAMP HALF		5
	1	1006241-1	ANGLE ASSY - RH PITCH SERVO - M172		
16	1	1006242-1	ANGLE ASSY - LH PITCH SERVO - M172		5
18	8	MS27039-0807	SCREW 8-32 X .47		5
22	1	1006244-3	TUBE ASSY - PITCH SERVO - 172M		5
23	1	AN3-12	BOLT 10-32 X .88 GRIP		5
24	1	AN3-7	BOLT 10-32 X .50 GRIP		5
25	2	AN3-6A	BOLT 10-32 X .38 GRIP		5
26	2	1006401-1	SPACER		5
28	2	MS21044N3	NUT #10		5
29	2	NAS1149F0332P	WASHER		5
	2	MS24665-134	COTTER PIN		
	4	MS20470AD4-4	RIVET		
33	4	1011-1006-0032	SCRW - METRIC M3x0.5 x 10MM (.394)		2,3,5
	1	MS24665-302	COTTER PIN PITCH SERVO SAFETY		
	1	NAS1149F0563P	WASHER PITCH SERVO SAFETY		
	1	1006237	CLIP ASM SERVO PITCH		
	1	MS21919WDG6	WIRE HARNESS CLAMP		