

ILLUSTRATED PARTS CATALOG
MODEL CESSNA 182 Navomatic Equipped Aircraft

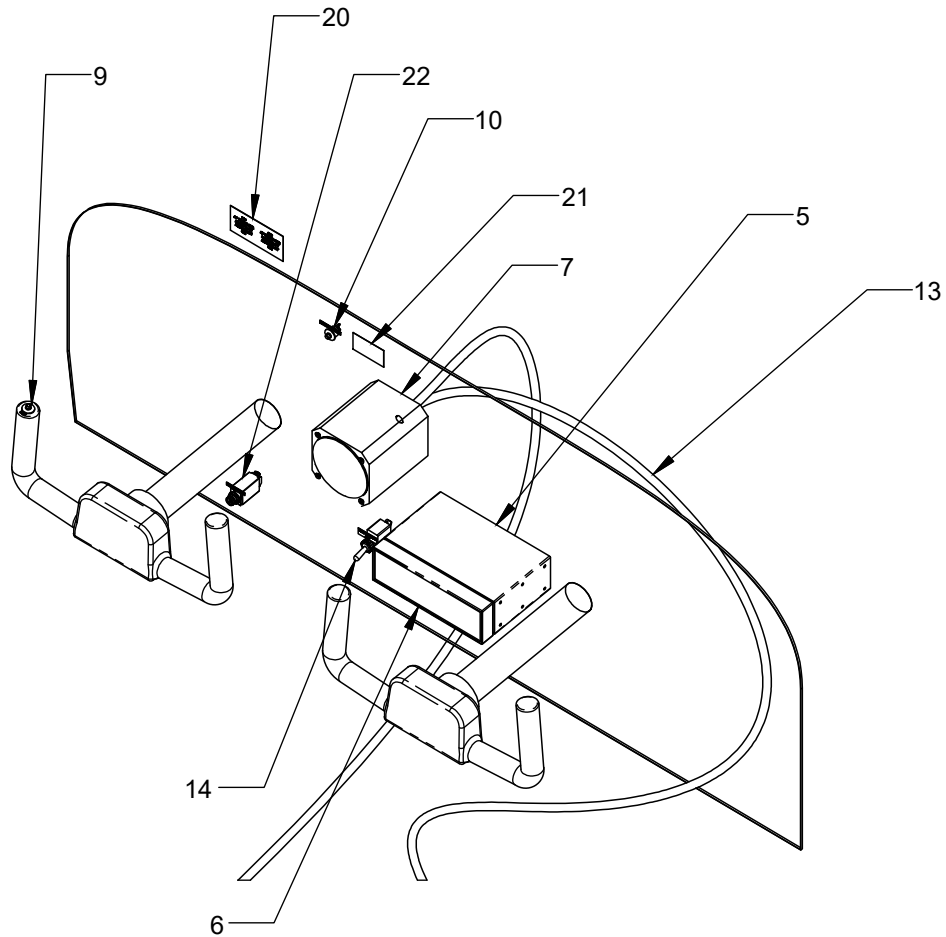


FIGURE 1 - INSTRUMENT PANEL

ITEM NO.	QTY.	PART NUMBER	DESCRIPTION	NOTE	FIG
	1	1006206	PITCH SERVO PROVISIONS INSTL	NAVOMATIC EQPED MODELS	
	1	1006205-1	ROLL SERVO PROVISIONS INSTL	NAVOMATIC EQPED MODELS	
5	1	22500000	TRAY	REQD W/ RACK MT CONTR ONLY	1
6	1	20000000	AP CONTROLLER - RACK MOUNT	REQD W/ RACK MT CONTR ONLY	1
7	1	10000000	CONTROLLER - AUTOPILOT	NOT REQD W/ RACK MT CONTR	1
9	1	MSPS103C2	PUSHBUTTON SWITCH (RED)		1
10	1	MSPS103C0	PUSHBUTTON SWITCH (BLK)		1
11	2	30000000	SERVO - CW ROTATION		2,3
13	1	41000010	WIRE HARNESS ASSY		1
14	1	MS35058-22	TOGGLE SWITCH	REQD W/ RACK MT CONTR ONLY	1
20	1	1006451-1	PANEL LABELS		1
21	1	1006450-1	AP LIMITATIONS PLACARD		1
22	1	7274-2-5	CIRCUIT BREAKER		1

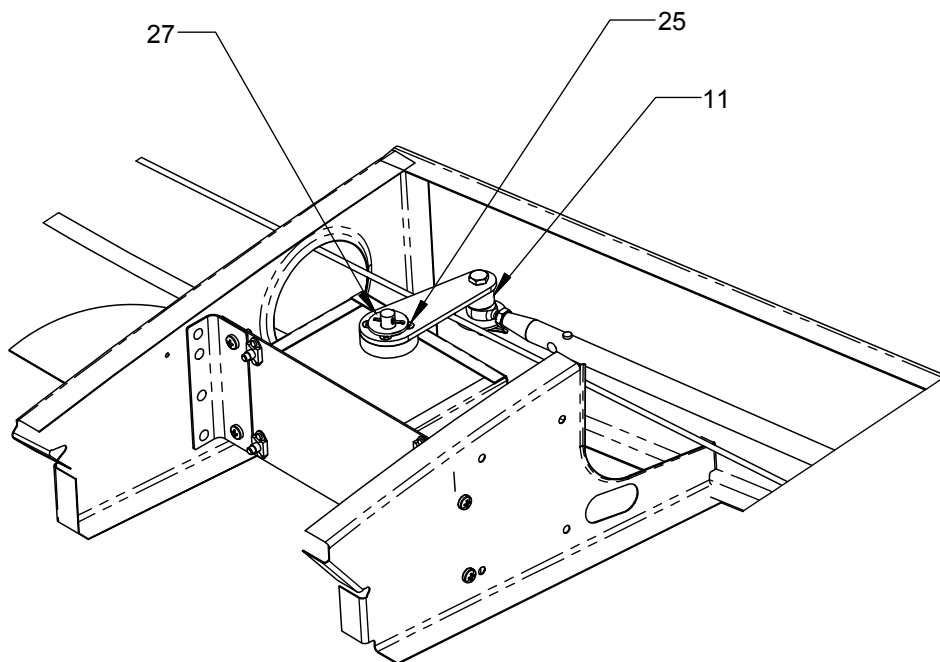


FIGURE 2 - ROLL SERVO INSTL

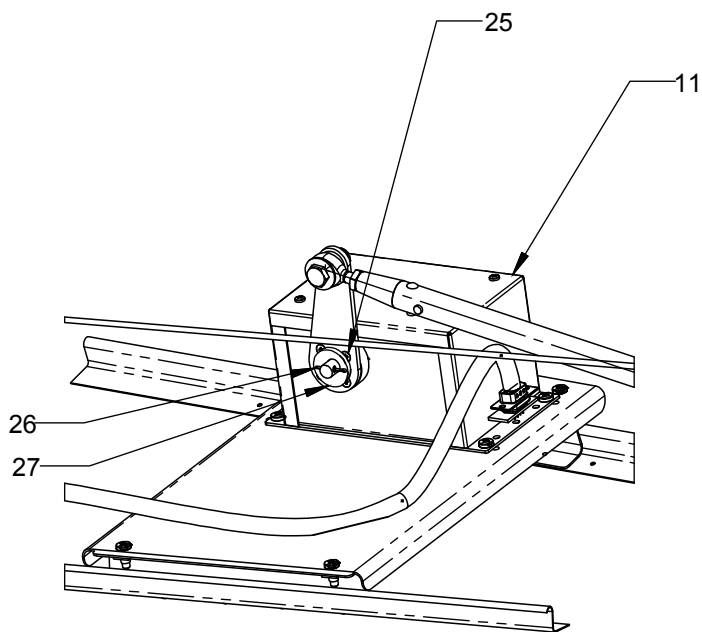


FIGURE 3 - PITCH SERVO INSTL

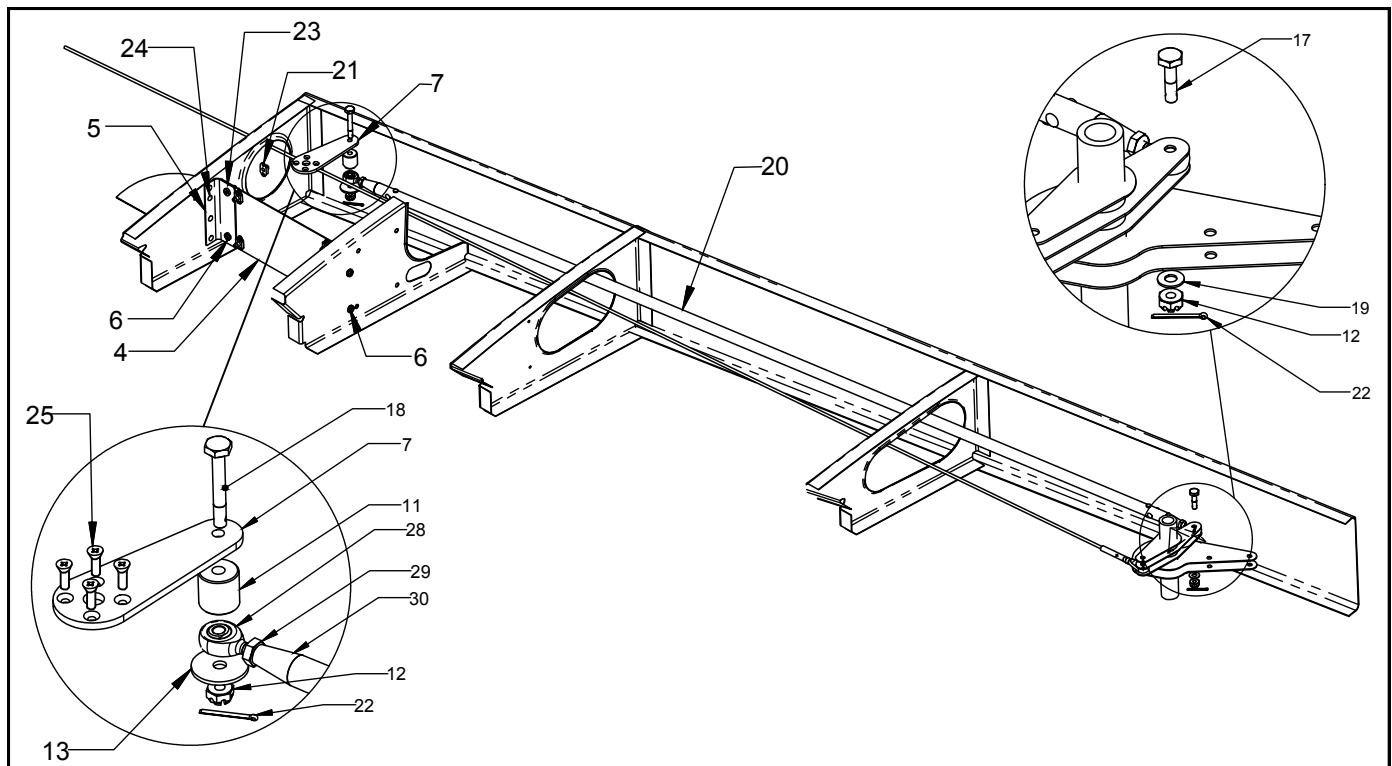


FIGURE 4 - ROLL SERVO PROVISIONS

ITEM NO.	QTY	PART NUMBER	DESCRIPTION	NOTE	FIG
	2	MS20470AD4-10	RIVET	USE W 1006231-1 PUSH PULL TUBE	
4	1	1006251-1	MTG PLATE ASSY - ROLL SERVO		4
5	1	1006252-1	MTG ANGLE - INBD		4
6	8	MS27039-0807	SCREW 8-32 X .47		4
7	1	1006402-3	SERVO ARM	ALT PN 1006402-5	4
11	1	1006401-5	SPACER		2
12	2	AN310-3	NUT - CASTELLATED		4
13	1	AN970-3	WASHER		4
17	1	AN3-6	BOLT 10-32 X .38 GRIP		4
18	1	AN3-13	BOLT 10-32 X 1.00 GRIP		4
19	2	NAS1149F0363P	WASHER		4
20	1	1006231-1	PUSH/PULL TUBE ASSY		4
21	2	MS21075L08N	NUTPLATE 8-32		4
22	2	MS24665-134	COTTER PIN		4
23	4	MS20426AD3-4	RIVET		4
24	4	MS20470AD4-4	RIVET		4
25	4	1011-1006-0032	SCREW - METRIC (.394 LONG)		2,3,4
26	1	MS24665-302	COTTER PIN SERVO SAFETY		2,3
27	1	NAS1149F0563P	WASHER SERVO SAFETY		2,3
	1	MS21919WDG6	WIRE HARNESS CLAMP		
28	1	MM3	AURORA MM3 ROD END	USE W 1006231-1 PUSH PULL TUBE	
29	1	AN315-4R	JAM NUT FOR MM3	USE W 1006231-1 PUSH PULL TUBE	
30	1	1006405-1	THREADED INSERT-ROD END	USE W 1006231-1 PUSH PULL TUBE	

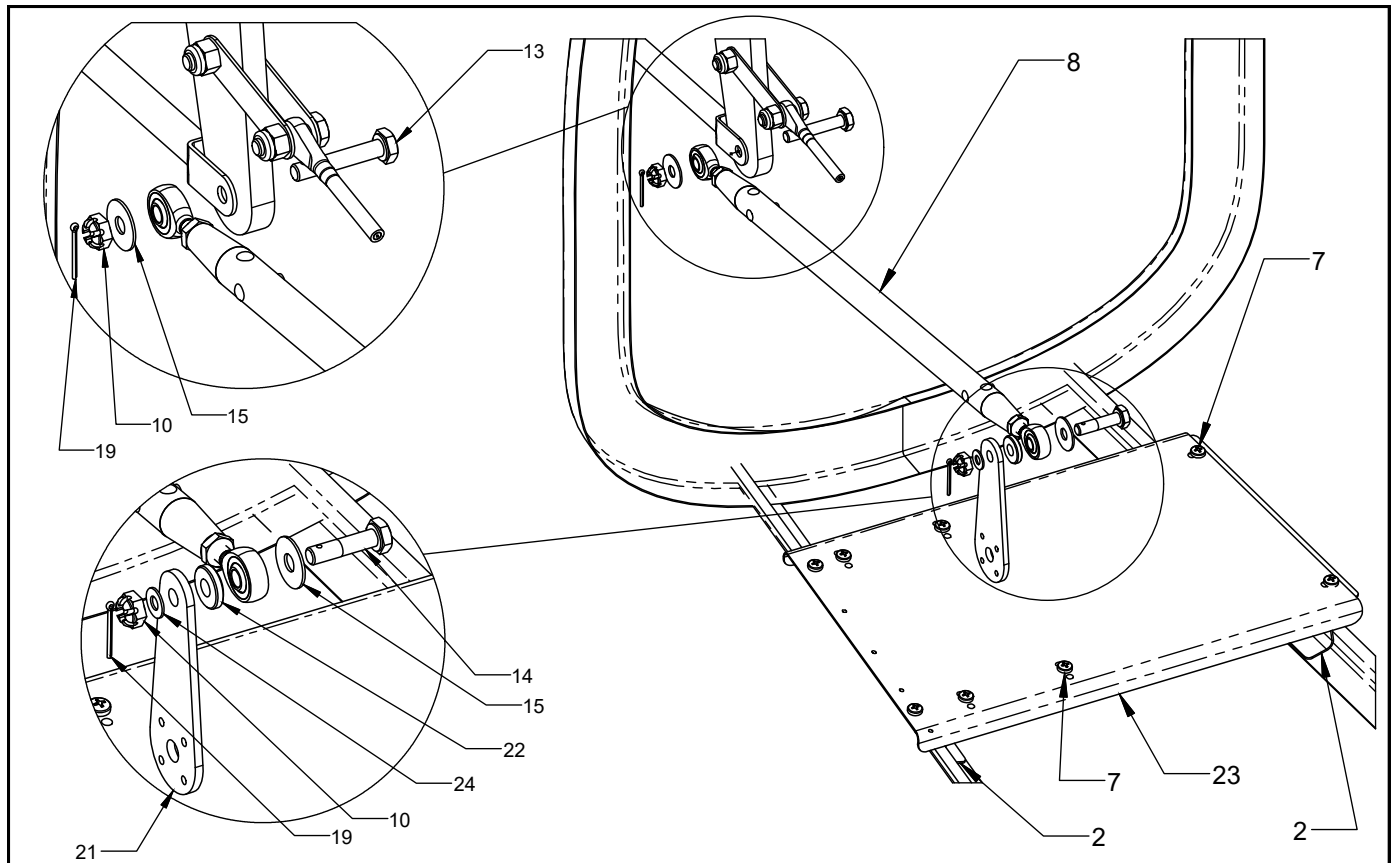


FIGURE 5 - PITCH SERVO PROVISIONS

ITEM NO.	QTY	PART NUMBER	DESCRIPTION	NOTE	FIG
2	2	1006254-2	ZEE		5
7	8	MS27039-0807	SCREW 8-32 X .47		5
8	1	1006407-2	TUBE ASSY - PITCH SERVO		5
10	2	AN310-4	NUT - CASTELLATED		5
13	1	AN4-13	BOLT .25-28 X .94 GRIP		5
14	1	AN4-10	BOLT .25-28 X .56 GRIP		5
15	2	1006411-4	WASHER - LG OD		5
	6	MS21075L08N	NUTPLATE 8-32		
	8	MS20470AD4-4	RIVET	ALT PN MS20470AD4-5	
19	2	MS24665-134	COTTER PIN		5
	12	MS20426AD3-4	RIVET		
21	1	1006402-4	SERVO ARM	ALT PN 1006402-6	5
22	1	1006401-11	SPACER		5
23	1	1006253-2	TRAY ASSY - PITCH SERVO	ALT P/N 1006253-1	5
24	1	NAS1149F0432P	WASHER		5
25	4	1011-1006-0032	SCREW - METRIC (.394 LONG)		2,3,4
26	1	MS24665-302	COTTER PIN SERVO SAFETY		2,3
27	1	NAS1149F0563P	WASHER SERVO SAFETY		2,3
	1	MS21919WDG6	WIRE HARNESS CLAMP		