

**STC GROUP LLC  
ILLUSTRATED PARTS CATALOG  
MODEL CESSNA 182  
(No Previous Navomatic A/P)**

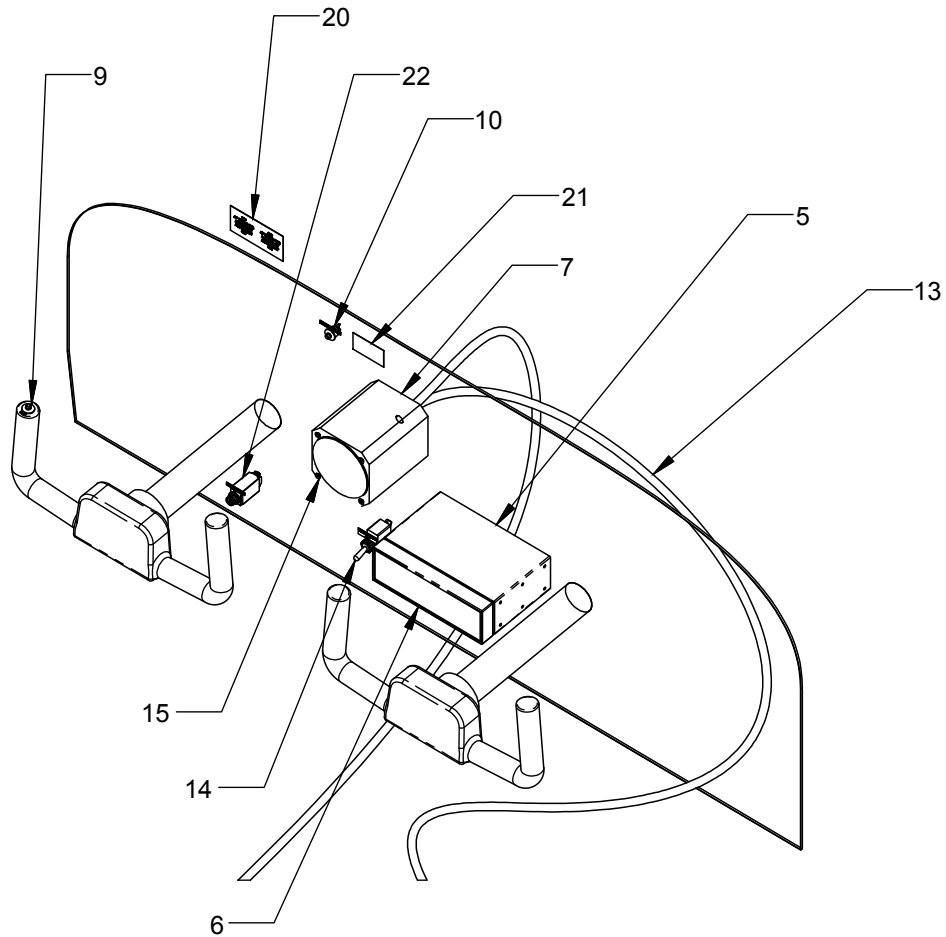


FIGURE 1 - INSTRUMENT PANEL

ITEM NO.	QTY.	PART NUMBER	DESCRIPTION	NOTE	FIG
	1	1006203-2	ROLL SERVO INSTL	NO NAVOMATIC A/P	
	1	1006206	PITCH SERVO INSTL	NO NAVOMATIC A/P	
5	1	22500000	TRAY	REQD W/ RACK MT CONTR ONLY	1
6	1	20000000	AP CONTROLLER - RACK MOUNT	REQD W/ RACK MT CONTR ONLY	1
7	1	10000000	CONTROLLER - AUTOPILOT	NOT REQD W/ RACK MT CONTR	1
9	1	MSPS103C2	PUSHBUTTON SWITCH (RED)		1
10	1	MSPS103C0	PUSHBUTTON SWITCH (BLK)		1
11	1	30000000	PITCH SERVO - CW ROTATION		3
13	1	41000010	WIRE HARNESS ASSY		1
14	1	MS35058-22	TOGGLE SWITCH	REQD W/ RACK MT CONTR ONLY	1
15	4	MS24693-BB26	SCREW ALT P/N: MS35214-25	FOR USE WITH ITEM 7	1
16	1	31000000	ROLL SERVO - CCW ROTATION		2
20	1	1006451-1	PANEL LABELS		1
21	1	1006450-1	AP LIMITATIONS PLACARD		1
22	1	7274-2-5	CIRCUIT BREAKER		1

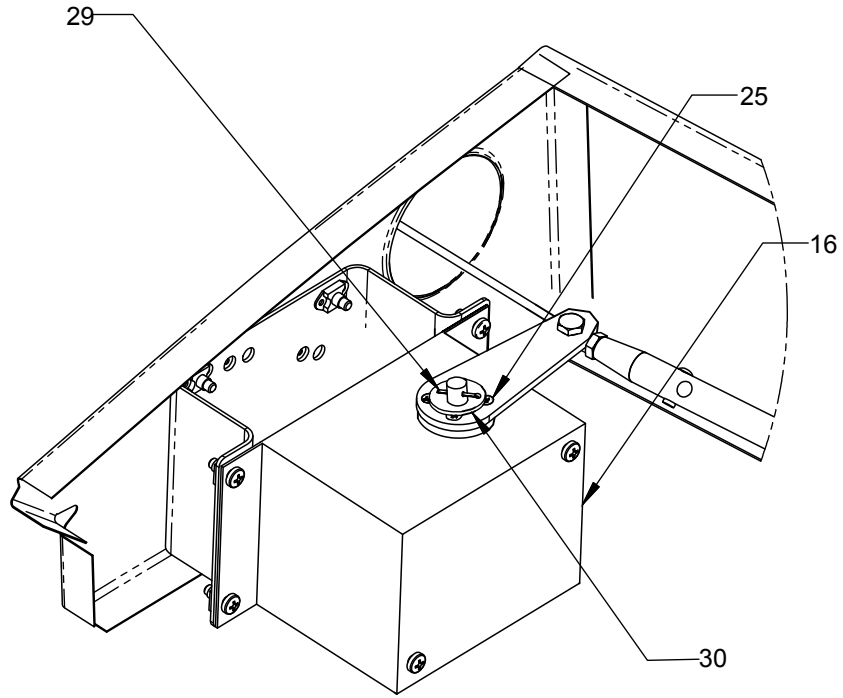


FIGURE 2 - ROLL SERVO INSTL

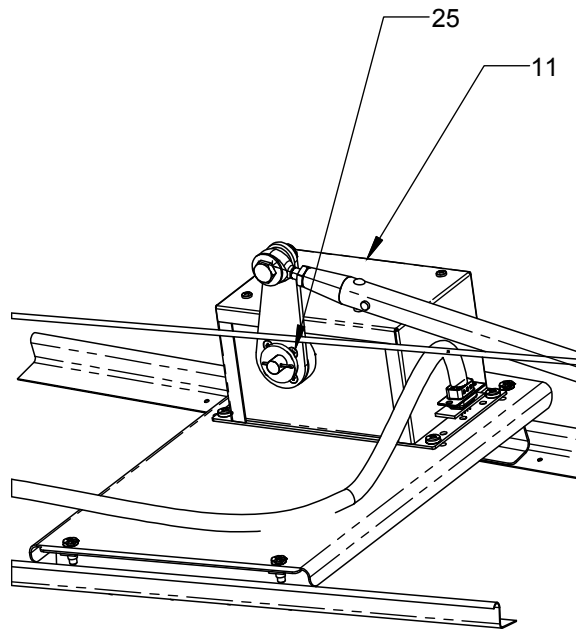


FIGURE 3 - PITCH SERVO INSTL

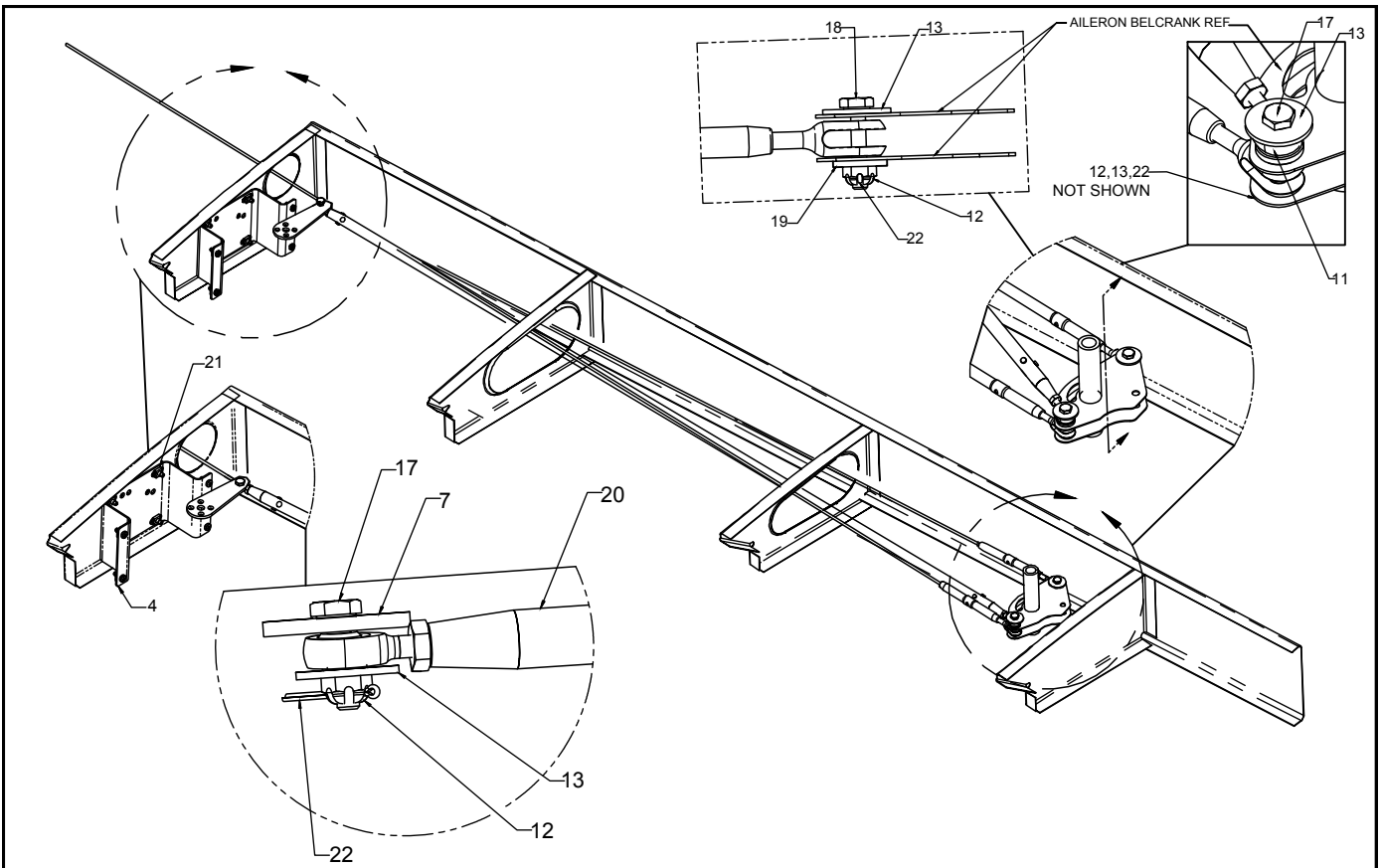


FIGURE 4 - ROLL SERVO PROVISIONS

ITEM NO.	QTY	PART NUMBER	DESCRIPTION	NOTE	FIG
4	1	1006233-1	BRACKET ASSY - ROLL SERVO		4
	4	AN525-832R7	SCREWS BRACKET ASSY ROLL		
	4	MS27039-0807	SCREW 8-32 X .47		
7	1	1006402-3	SERVO ARM	ALT P/N 1006402-5	4
11	1	1006401-1	SPACER		4
12	2	AN310-3	NUT - CASTELLATED		4
13	2	AN970-3	WASHER		4
17	1	AN3-6	BOLT 10-32 X .38 GRIP		4
18	1	AN3-13	BOLT 10-32 X 1.00 GRIP		4
19	1	NAS1149F0332P	WASHER		4
20	1	1006231-1	PUSH/PULL TUBE ASSY	ALT P/N 1006406-1	4
22	2	MS24665-134	COTTER PIN		4
25	4	1011-1006-0032	SCREW - METRIC (.394 LONG)		2,3,5
26	1	MM-3	AURORA MM SERIES MALE ROD END OR EQUIVLNT	USED WITH 1006231-1 Push Pull Tube	
27	1	AN315	JAM NUT	USED WITH 1006231-1 Push Pull Tube	
28	2	MS20470AD4-10	RIVET	USED WITH 1006231-1 Push Pull Tube	
29	1	MS24665-302	COTTER PIN SERVO SAFETY		2
30	1	NAS1149F0563P	WASHER SERVO SAFETY		2
31	1	1006405-1	ROD END THREADED INSERT	USED WITH 1006231-1 Push Pull Tube	
32	1	MS21919WDG6	WIRE HARNESS CLAMP		
33	4	10085	PUSH NUT		

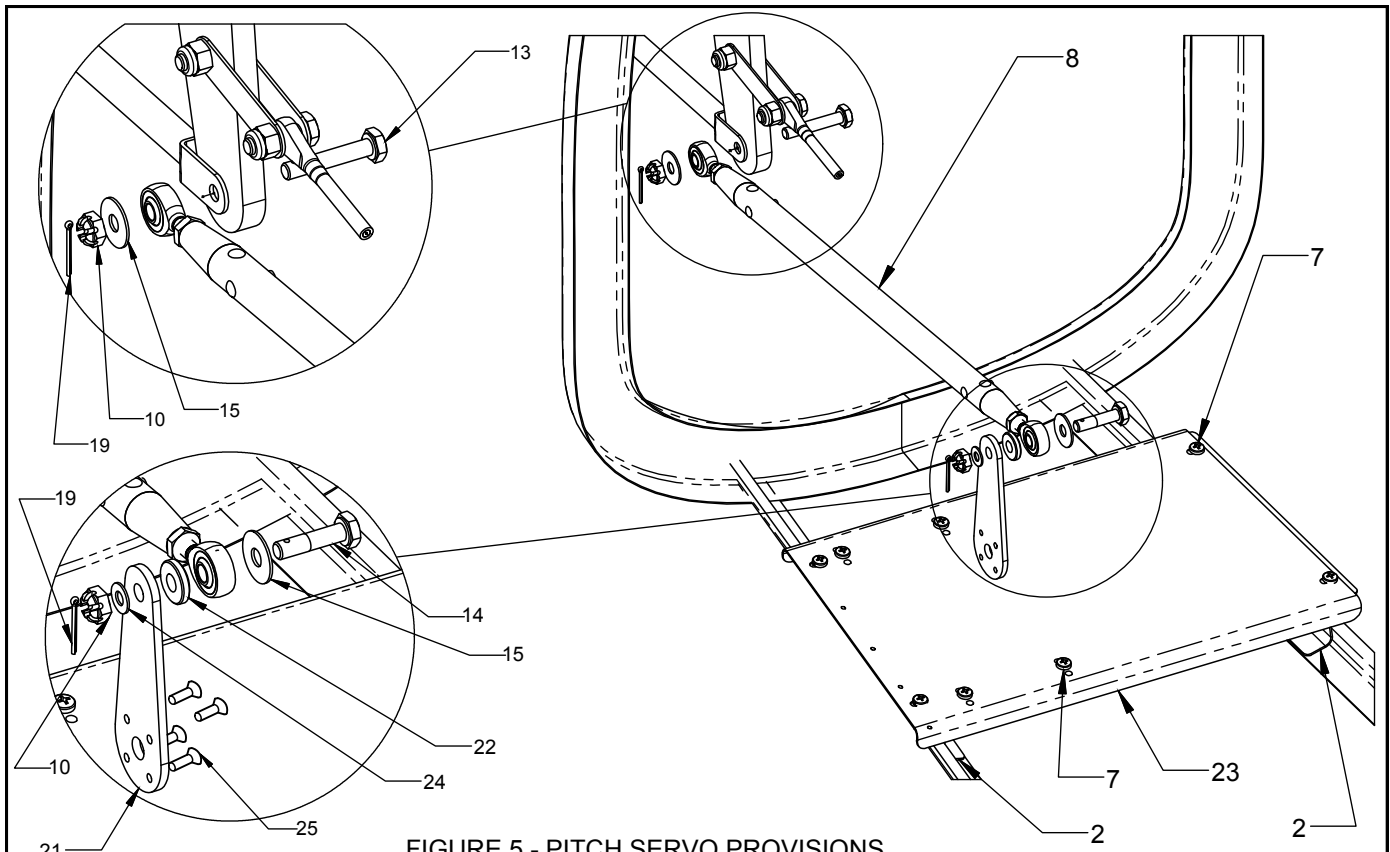


FIGURE 5 - PITCH SERVO PROVISIONS

ITEM NO.	QTY	PART NUMBER	DESCRIPTION	NOTE	FIG
2	2	1006254-2	ZEE		5
7	8	MS27039-0807	SCREW 8-32 X .47		5
8	1	1006407-2	TUBE ASSY - PITCH SERVO		5
10	2	AN310-4	NUT - CASTELLATED		5
13	1	AN4-13	BOLT .25-28 X .94 GRIP		5
14	1	AN4-10	BOLT .25-28 X .56 GRIP		5
15	2	1006411-4	WASHER - LG OD		5
	4	MS21075L08N	NUTPLATE 8-32		
	8	MS20470AD4-4	RIVET	ALT P/N MS20470AD4-5	
19	2	MS24665-134	COTTER PIN		5
	8	MS20426AD3-2	RIVET		
21	1	1006402-4	SERVO ARM	ALT P/N 1006406-6	5
22	1	1006401-11	SPACER		5
23	1	1006253-2	TRAY ASSY - PITCH SERVO	ALT P/N 1006253-1	5
24	1	NAS1149F0332P	WASHER		5
25	4	1011-1006-0032	SCREW - METRIC (.394 LONG)		2,3,5
29	1	MS24665-302	COTTER PIN SERVO SAFETY		2
30	1	NAS1149F0563P	WASHER SERVO SAFETY		2
	1	MS21919WDG6	WIRE HARNESS CLAMP		