

**STC GROUP LLC  
ILLUSTRATED PARTS CATALOG  
MODEL CESSNA 180 to 180E  
CESSNA 182 to 182D**

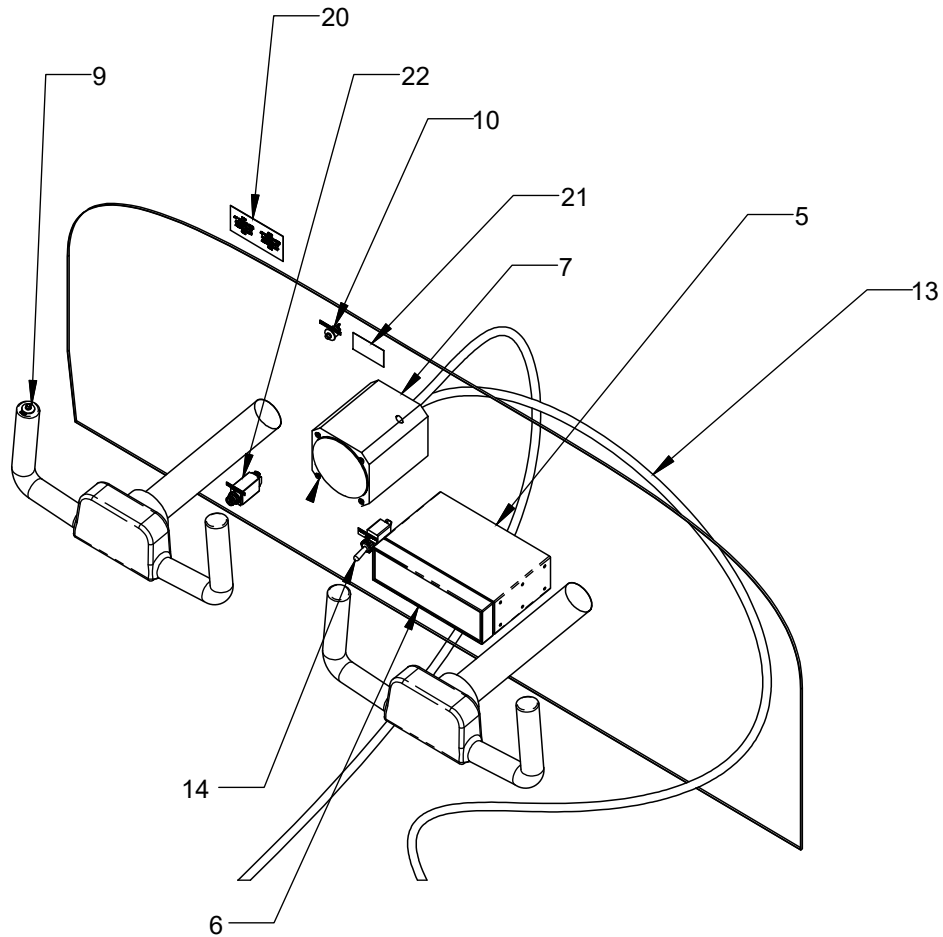


FIGURE 1 - INSTRUMENT PANEL

ITEM NO.	QTY.	PART NUMBER	DESCRIPTION	NOTE	FIG
2	1	1006203-1	ROLL SERVO INSTL	NO NAVOMATIC A/P	3
3	1	1006206-1	PITCH SERVO INSTL	NO NAVOMATIC A/P	2
5	1	22500000	TRAY	REQD W/ RACK MT CONTR ONLY	1
6	1	20000000	CONTROLLER - RACK MOUNT	REQD W/ RACK MT CONTR ONLY	1
7	1	10000000	CONTROLLER - AUTOPILOT	NOT REQD W/ RACK MT CONTR	1
9	1	MSPS103C2	PUSHBUTTON SWITCH (RED)		1
10	1	MSPS103C0	PUSHBUTTON SWITCH (BLK)		1
11	1	30000000	PITCH SERVO - CW ROTATION		2, 3
16	1	30000000	ROLL SERVO - CW ROTATION		2, 3
13	1	41000010	WIRE HARNESS ASSY		1
14	1	MS35058-22	TOGGLE SWITCH	REQD W/ RACK MT CONTR ONLY	1
					1
20	1	1006451-1	PANEL LABELS		1
21	1	1006450-1	AP LIMITATIONS PLACARD		1
22	1	7274-2-5	Circuit Breaker		1

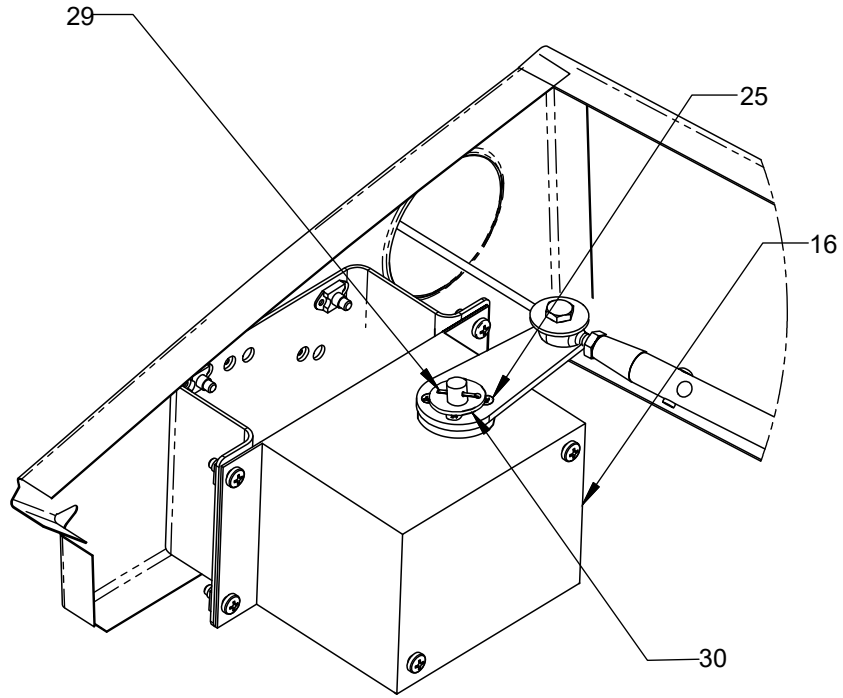


FIGURE 2 - ROLL SERVO INSTL

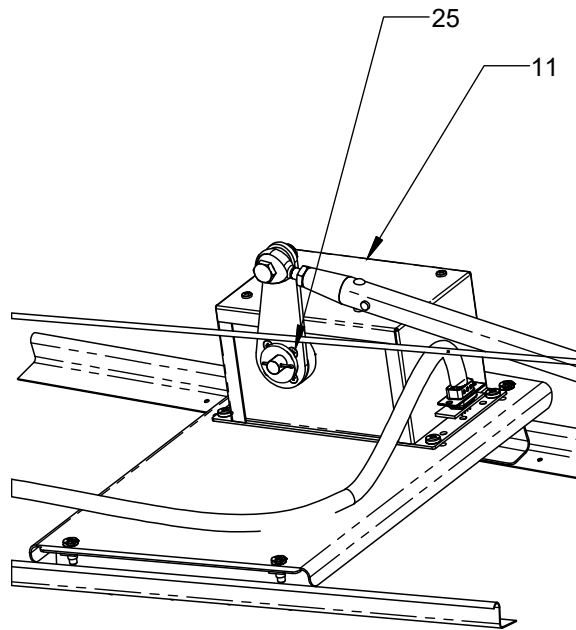


FIGURE 3 - PITCH SERVO INSTL

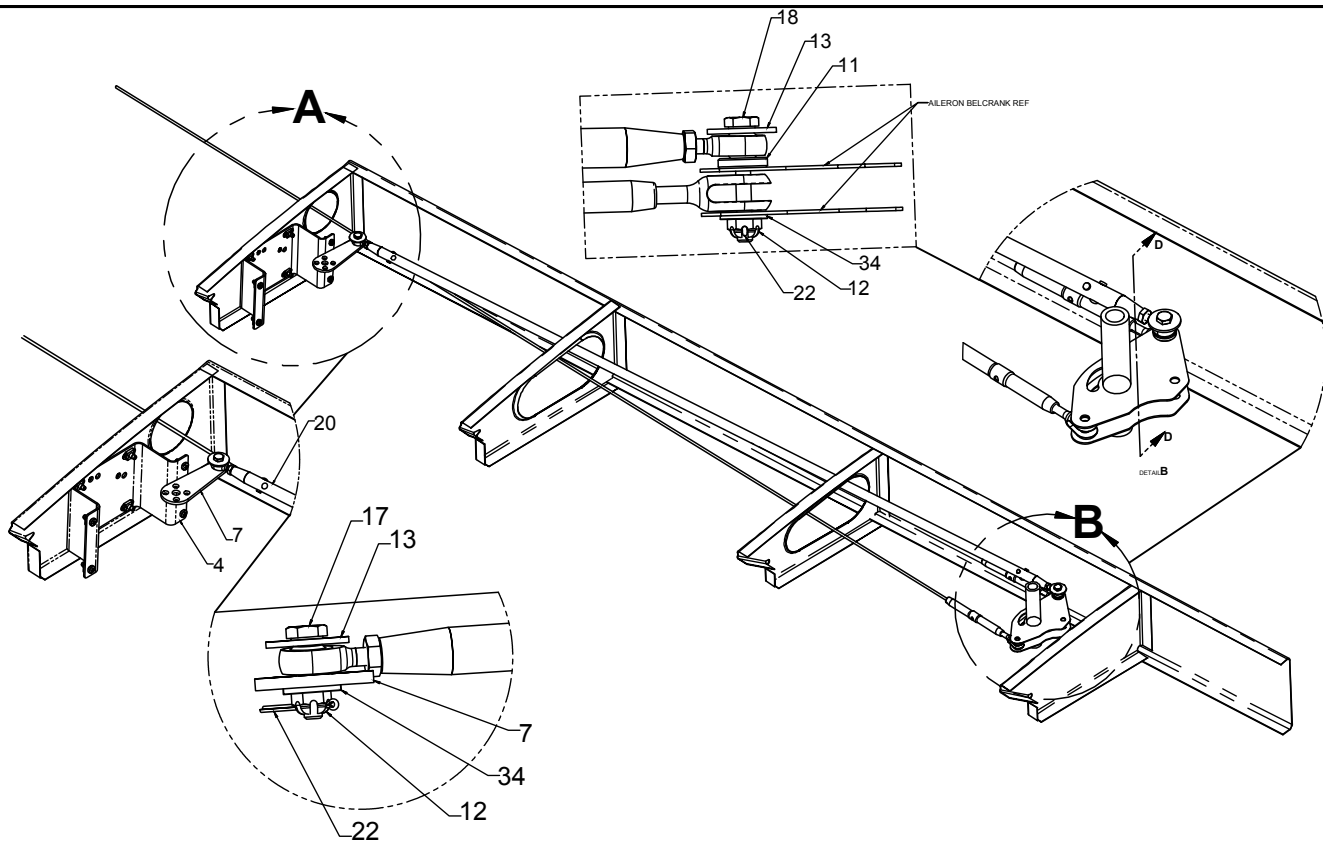


FIGURE 4 - ROLL SERVO PROVISIONS

ITEM NO.	QTY	PART NUMBER	DESCRIPTION	NOTE	FIG
4	1	1006233-1	BRACKET ASSY - ROLL SERVO		4
	4	AN525-832R7	SCREWS BRACKET ASSY ROLL		
	4	MS27039-0807	SCREW 8-32 X .47		
7	1	1006239-1	SERVO ARM		4
11	1	1006401-1	SPACER		4
12	2	AN310-3	NUT - CASTELLATED		4
13	2	AN970-3	WASHER		4
17	1	AN3-6	BOLT 10-32 X .38 GRIP		4
18	1	AN3-13	BOLT 10-32 X 1.00 GRIP		4
20	1	1006231-1	PUSH/PULL TUBE ASSY		4
22	2	MS24665-134	COTTER PIN		4
25	4	1011-1006-0032	SCREW - METRIC (.394 LONG)		2,3,5
26	1	MM-3	AURORA MM SERIES MALE ROD END OR EQUIVLNT	USE WITH 1006231-1 P/P TUBE	
27	1	AN315-R	JAM NUT	USE WITH 1006231-1 P/P TUBE	
28	2	MS20470AD4-10	RIVET	USE WITH 1006231-1 P/P TUBE	
29	1	MS24665-302	COTTER PIN SERVO SAFETY	USE WITH 1006231-1 P/P TUBE	2
30	1	NAS1149F0563P	WASHER SERVO SAFETY		2
	1	1006405-1	ROD END THREADED INSERT	USE WITH 1006231-1 P/P TUBE	
	4	10085	PUSHNUT		
	1	MS29191WDG6	WIRE HARNESS CLAMP		
34	2	NAS1149F0332P	WASHER		4

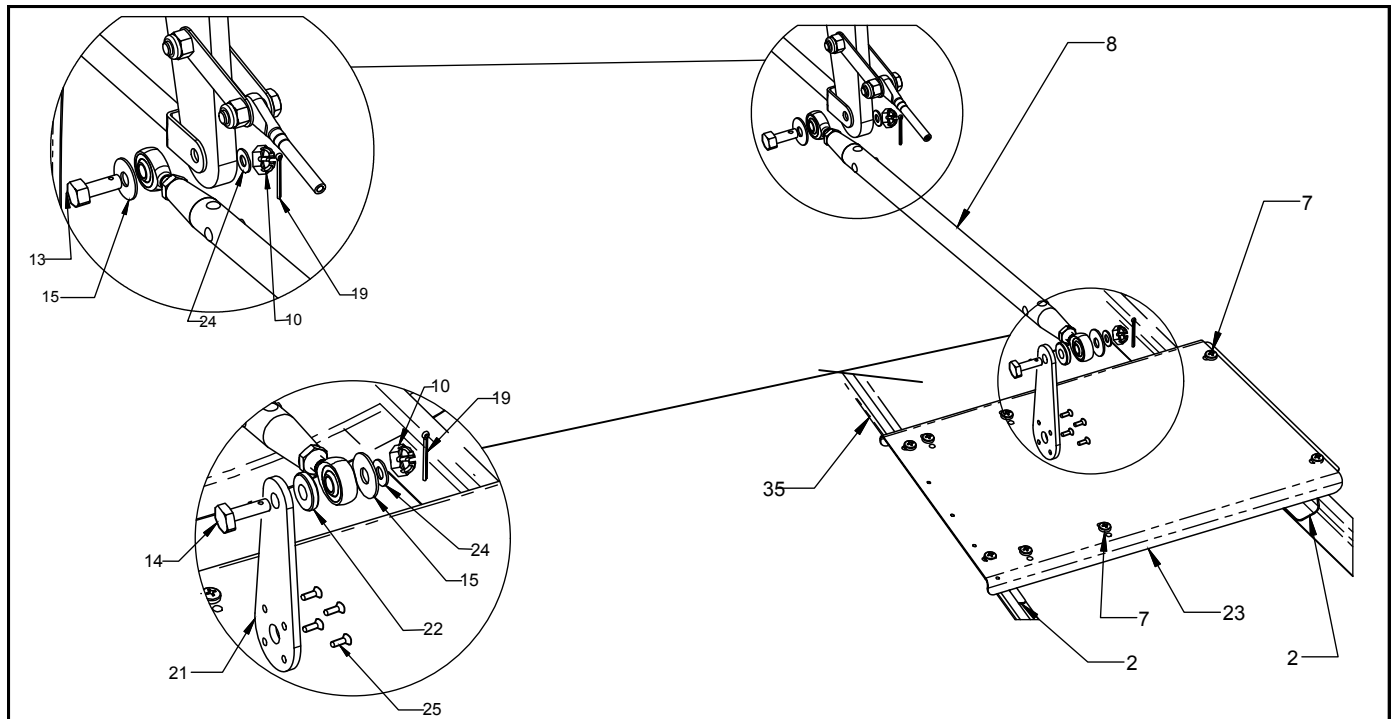


FIGURE 5 - PITCH SERVO PROVISIONS

ITEM NO.	QTY	PART NUMBER	DESCRIPTION	NOTE	FIG
2	2	1006254-2	ZEE		5
7	8	MS27039-0807	SCREW 8-32 X .47		5
8	1	1006412-2	TUBE ASSY - PITCH SERVO	ALT P/N 1006412-3	5
10	2	AN310-4	NUT - CASTELLATED		5
13	1	AN4-13	BOLT .25-28 X .94 GRIP		5
14	1	AN4-10	BOLT .25-28 X .56 GRIP		5
15	2	1006411-4	WASHER - LG OD		5
	40	MS20470AD3-5	RIVET		
19	2	MS24665-134	COTTER PIN		5
	12	MS20426AD3-2	RIVET		
21	1	1006402-4	SERVO ARM	ALT P/N 1006402-6	5
22	1	1006401-11	SPACER		5
23	1	1006253-2	TRAY ASSY - PITCH SERVO	ALT P/N 1006253-1	5
24	2	NAS1149F0432P	WASHER		5
25	4	1011-1006-0032	SCREW - METRIC (.394 LONG)		2,3,5
29	1	MS24665-302	COTTER PIN SERVO SAFETY		2
30	1	NAS1149F0563P	WASHER SERVO SAFETY		2
	1	MM-4	BEARING ROD END	USE WITH 1006412-2 / -3	
	2	MS20470AD4-12	RIVET	USE WITH 1006412-2 / -3	
	1	AN315-4R	NUT	USE WITH 1006412-2 / -3	
	1	05-01550	ROD END THREADED INSERT	USE WITH 1006412-2, ALT PN 05-01140	
35	2	1006243	ANGLE PITCH SERVO		5
	6	MS21075L08N	NUTPLATE 8-32		5
	1	MS29191WDG6	WIRE HARNESS CLAMP		
	6	CR3213-4-4	Cherry Aerospace Universal Head Rivet		