

**STC GROUP LLC AUTOPILOT INSTALLATION
ILLUSTRATED PARTS CATALOG
MODEL CESSNA 172 NAVOMATIC EQUIPPED**

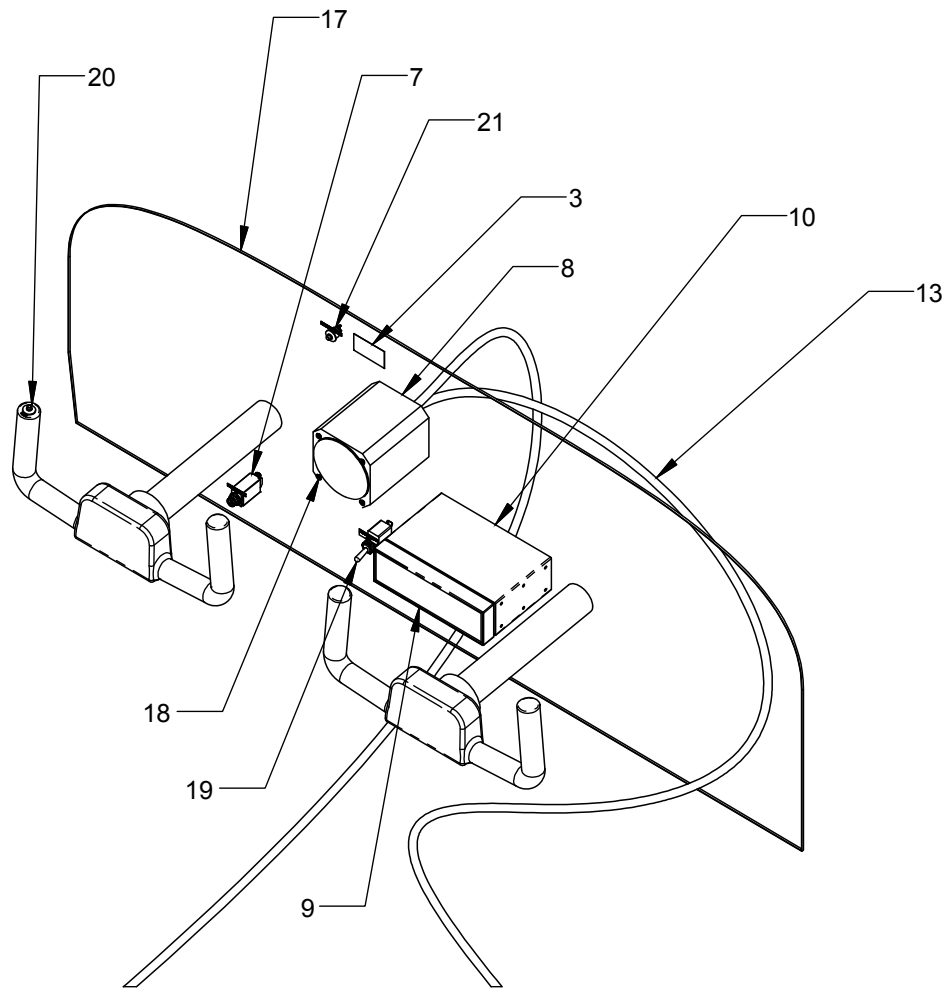


FIGURE 1 - INSTRUMENT PANEL

ITEM NO.	QTY.	PART NUMBER	DESCRIPTION	NOTE	FIG
1	1	1006205-1	ROLL SERVO PROVISNS INSTL		2
2	1	1006204	PITCH SERVO INSTALLATION		3
3	1	1006450-1	AP LIMITATIONS PLACARD		1
4	1	1006451-1	PANEL LABELS		1
7	1	7274-2-5	CIRCUIT BREAKER		1
8	1	10000000	CONTROLLER - AUTOPILOT	NOT REQD W/ RACK MT CONTR	1
9	1	20000000	AP CONTROLLER - RACK MOUNT	REQD W/ RACK MT CONTR ONLY	1
10	1	22500000	TRAY	REQD W/ RACK MT CONTR ONLY	1
11	1	30000000	PITCH SERVO - CW ROTATION		3
12	1	30000000	ROLL SERVO - CW ROTATION		2
13	1	41000000	WIRE HARNESS ASSY		1,2
18	4	MS24693-BB26	SCREW ALT P/N: MS35214-25	REQD W/ 10000000 CONTR ONLY	1
19	1	MS35058-22	TOGGLE SWITCH	REQD W/ RACK MT CONTR ONLY	1
20	1	MSPS103C2	PUSHBUTTON SWITCH (RED)		1
21	1	MSPS103C0	PUSHBUTTON SWITCH (BLK)		1

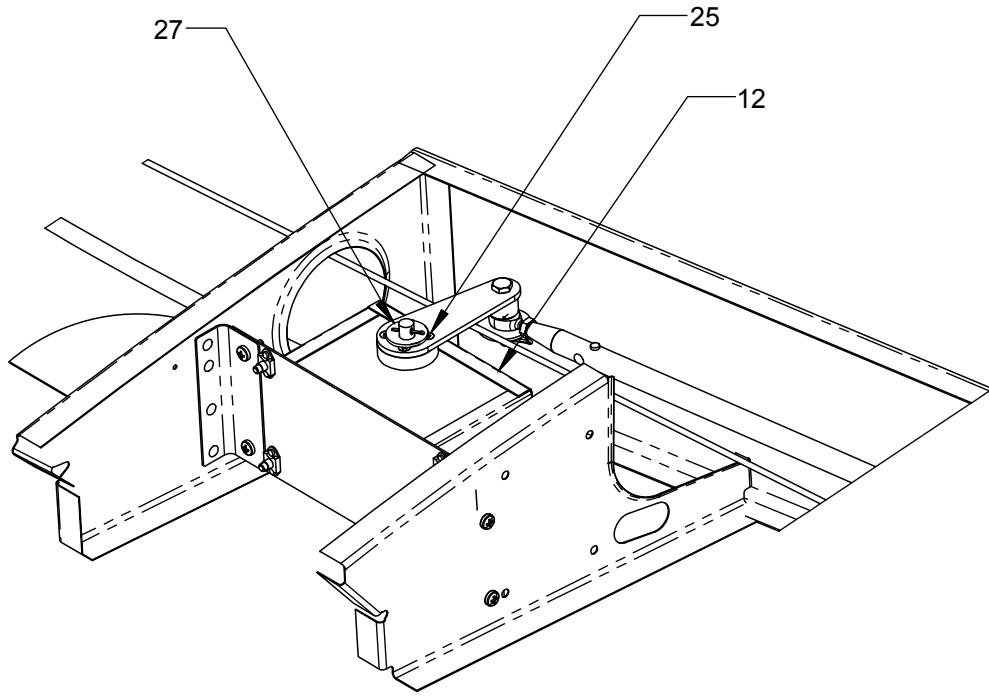


FIGURE 2 - ROLL SERVO INSTL

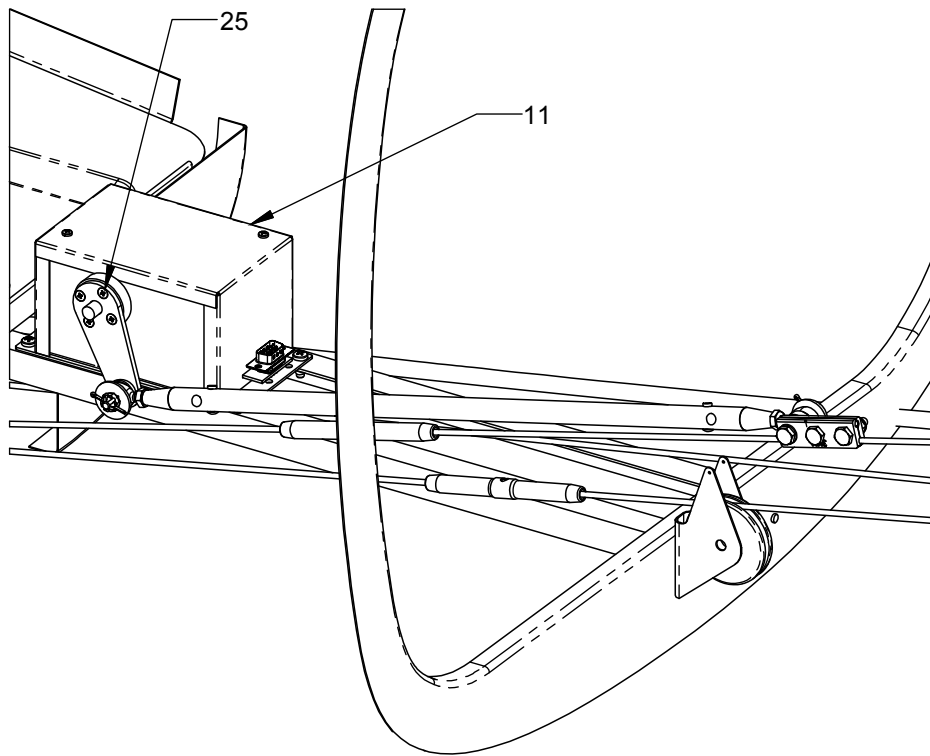


FIGURE 3 - PITCH SERVO INSTL

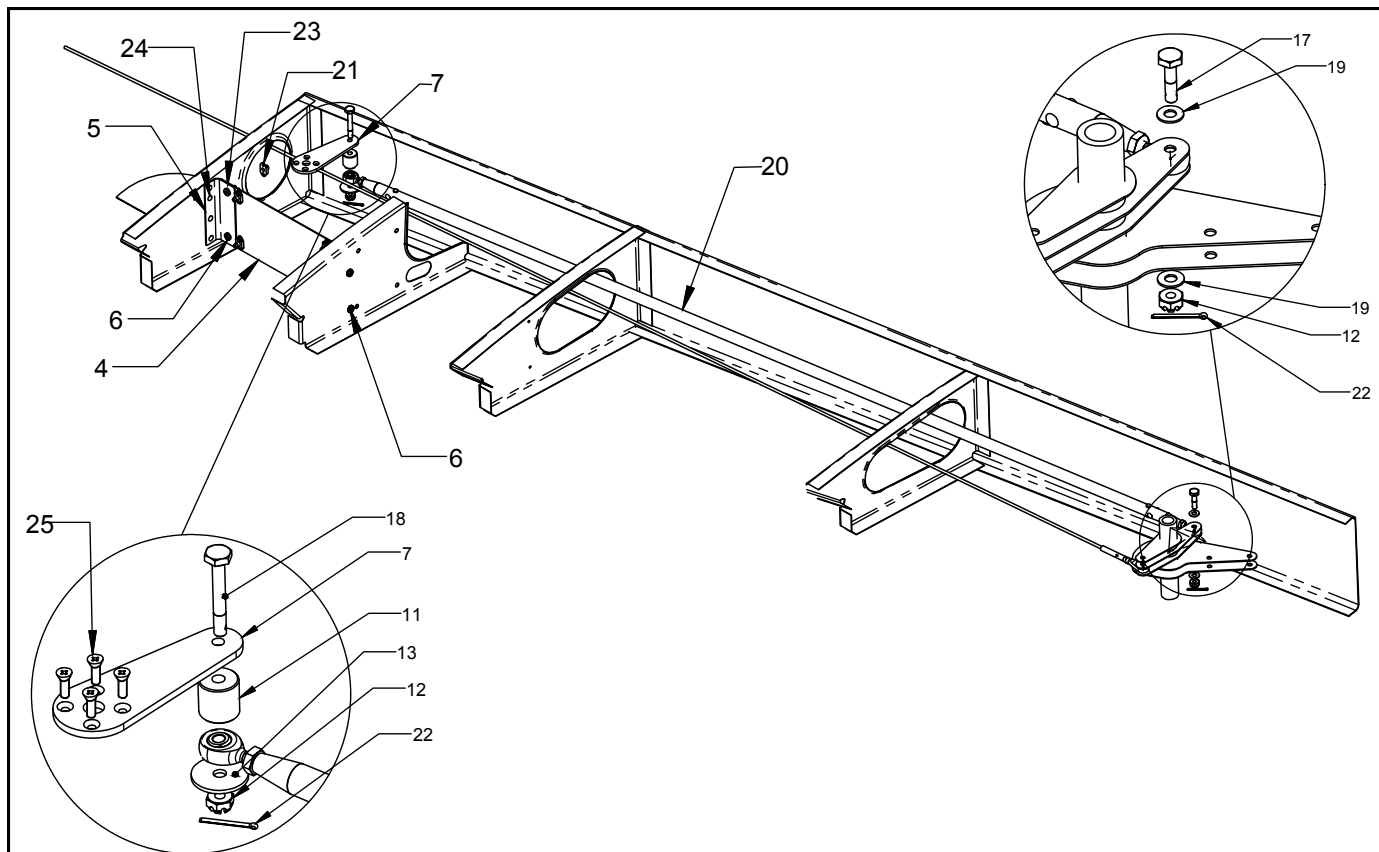


FIGURE 4 - ROLL SERVO PROVISIONS

ITEM NO.	QTY	PART NUMBER	DESCRIPTION	NOTE	FIG
4	1	1006251-3	MTG PLATE ASSY - ROLL SERVO		4
5	1	1006252-1	MTG ANGLE - INBD		4
6	8	MS27039-0807	SCREW 8-32 X .47		4
7	1	1006402-3	SERVO ARM	Alt P/N 1006402-5	4
11	1	1006401-5	SPACER		4
12	2	AN310-3	NUT - CASTELLATED		4
13	1	AN970-3	WASHER		4
17	1	AN3-6	BOLT 10-32 X .38 GRIP		4
18	1	AN3-13	BOLT 10-32 X 1.00 GRIP		4
19	2	NAS1149F0363P	WASHER		4
20	1	1006231-1	PUSH/PULL TUBE ASSY	ALT PN 1006406-1	4
21	2	MS21075L08N	NUTPLATE 8-32		4
22	2	MS24665-134	COTTER PIN		4
23	4	MS20426AD3-2	RIVET		4
24	4	MS20470AD4-4	RIVET		4
25	4	1011-1006-0032	SCREW - METRIC (.394 LONG)		2,3,4
26	1	MS24665-301	COTTER PIN SERVO SAFETY		2
27	1	NAS1149F0563P	WASHER SERVO SAFETY		2
28	1	1006405-1	ROD END THREADED INSERT	Not REQ'D with 1006406-1	
29	1	MM-3	AURORA MM SERIES MALE ROD END OR EQVLNT	Not REQ'D with 1006406-1	
30	1	AN315	JAM NUT	Not REQ'D with 1006406-1	
31	2	MS20470AD4-10	RIVET	Not REQ'D with 1006406-1	

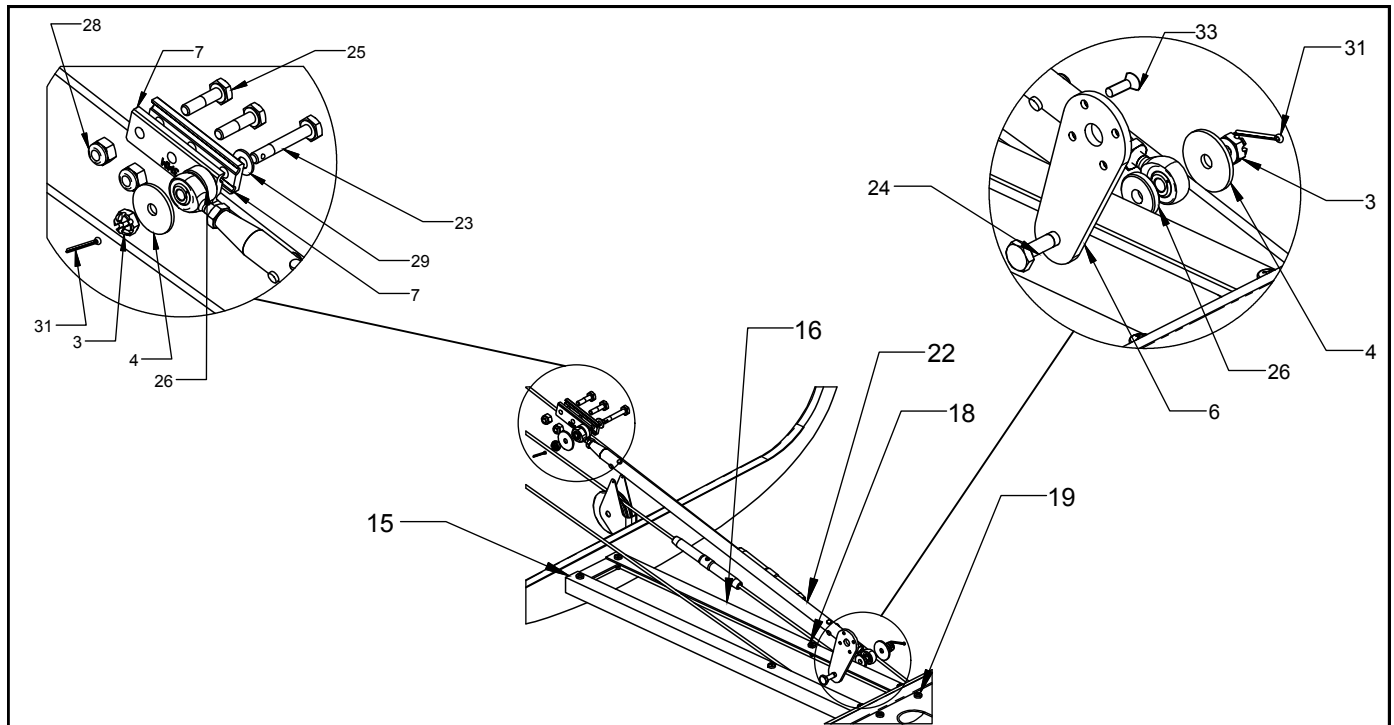


FIGURE 5 - PITCH SERVO PROVISIONS

ITEM NO.	QTY.	PART NUMBER	DESCRIPTION	NOTE	FIG
3	2	AN310-3	NUT - CASTELLATED		5
4	2	AN970-3	WASHER		5
6	1	1006239-1	SERVO ARM		5
7	2	9100606-1	CABLE CLAMP HALF		5
15	1	1006241-1	ANGLE ASSY - RH PITCH SERVO - M172		5
16	1	1006242-1	ANGLE ASSY - LH PITCH SERVO - M172		5
18	8	MS27039-0807	SCREW 8-32 X .47		5
22	1	1006244-3	TUBE ASSY - PITCH SERVO - 172M		5
23	1	AN3-12	BOLT 10-32 X .88 GRIP		5
24	1	AN3-7	BOLT 10-32 X .50 GRIP		5
25	2	AN3-6A	BOLT 10-32 X .38 GRIP		5
26	2	1006401-1	SPACER		5
28	2	MS21044N3	NUT #10		5
29	1	NAS1149F0332P	WASHER		5
31	2	MS24665-134	COTTER PIN		5
32	4	MS20470AD4-4	RIVET		
33	4	1011-1006-0032	SCRW - METRIC M3x0.5 x 10MM (.394)		5
34	1	MS24665-301	COTTER PIN PITCH SERVO SAFETY		5
35	1	NAS1149F0563P	WASHER PITCH SERVO SAFETY		2
36	1	1006237	CLIP ASM SERVO PITCH		2