

**STC GROUP LLC AUTOPILOT INSTALLATION
ILLUSTRATED PARTS CATALOG
MODEL CESSNA 177**

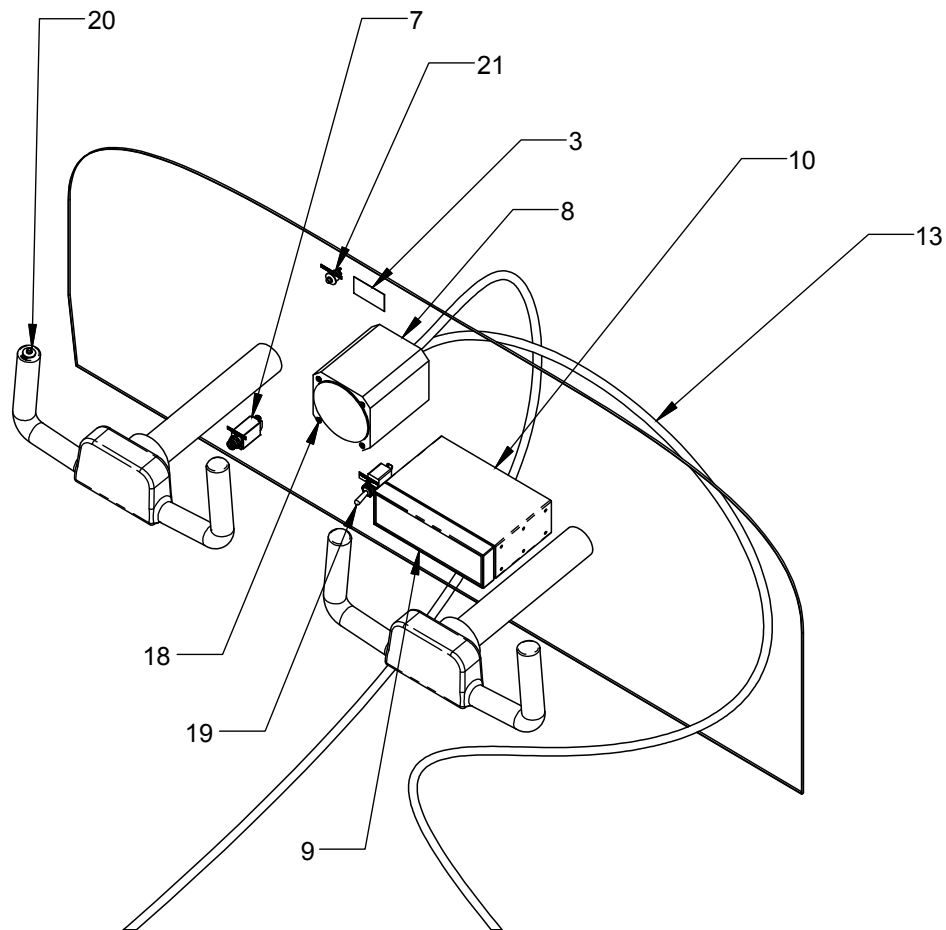


FIGURE 1 - INSTRUMENT PANEL

| ITEM NO. | QTY. | PART NUMBER | DESCRIPTION | NOTE | FIG |
|----------|------|--------------|----------------------------|------------------------------|-----|
| | 1 | 1177400 | ROLL SERVO INSTALLATION | | |
| | 1 | 1177100 | PITCH SERVO INSTALLATION | | |
| 3 | 1 | 1006450-1 | AP LIMITATIONS PLACARD | | 1 |
| | 1 | 1006451-1 | PANEL LABELS | | |
| 7 | 1 | 7274-2-5 | CIRCUIT BREAKER | | 1 |
| 8 | 1 | 10000000 | CONTROLLER - AUTOPILOT | NOT REQD W/ RACK MT CONTR | 1 |
| 9 | 1 | 20000000 | AP CONTROLLER - RACK MOUNT | REQD W/ RACK MT CONTR ONLY | 1 |
| 10 | 1 | 22500000 | TRAY | REQD W/ RACK MT CONTR ONLY | 1 |
| 11 | 1 | 30000000 | PITCH SERVO - CW ROTATION | | 3 |
| 12 | 1 | 30000000 | ROLL SERVO - CW ROTATION | | 2 |
| 13 | 1 | 41000000 | WIRE HARNESS ASSY | | 1,2 |
| 18 | 4 | MS24693-BB26 | SCREW ALT P/N: MS35214-25 | REQD W/ 9100601-1 CONTR ONLY | 1 |
| 19 | 1 | MS35058-22 | TOGGLE SWITCH | REQD W/ RACK MT CONTR ONLY | 1 |
| 20 | 1 | MSPS103C2 | PUSHBUTTON SWITCH (RED) | | 1 |
| 21 | 1 | MSPS103C0 | PUSHBUTTON SWITCH (BLK) | | 1 |

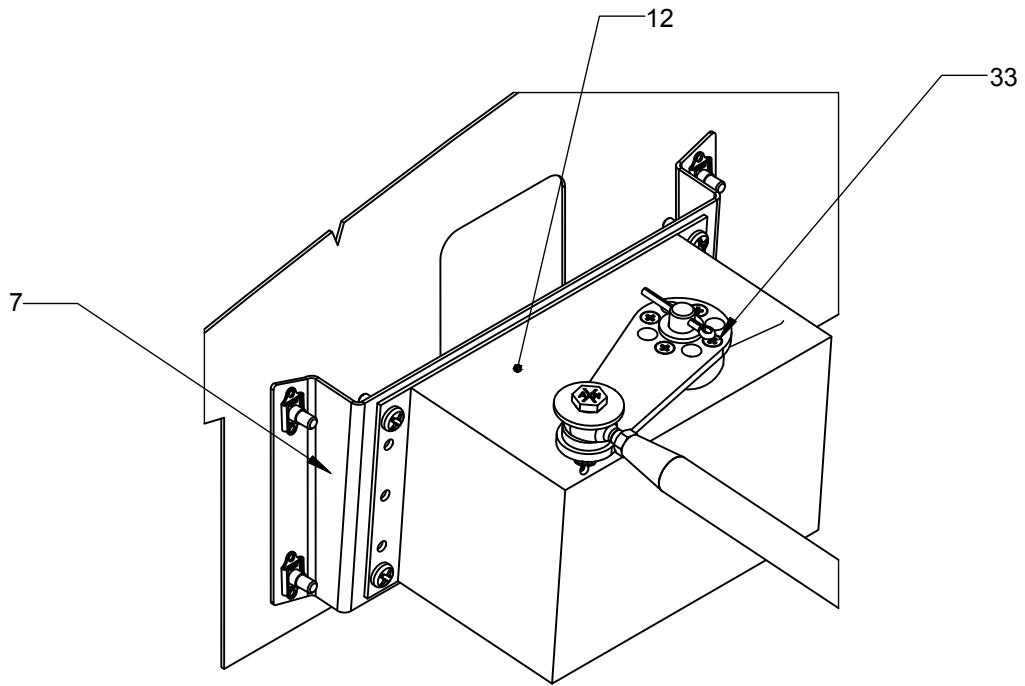


FIGURE 2 - ROLL SERVO INSTL

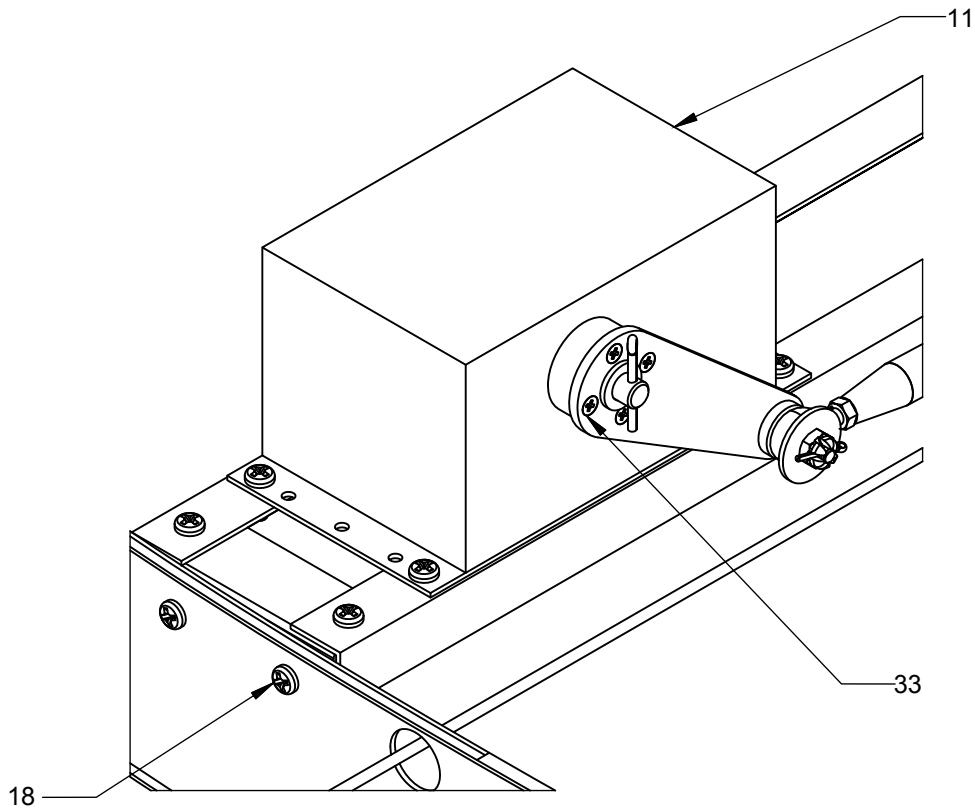


FIGURE 3 - PITCH SERVO INSTL

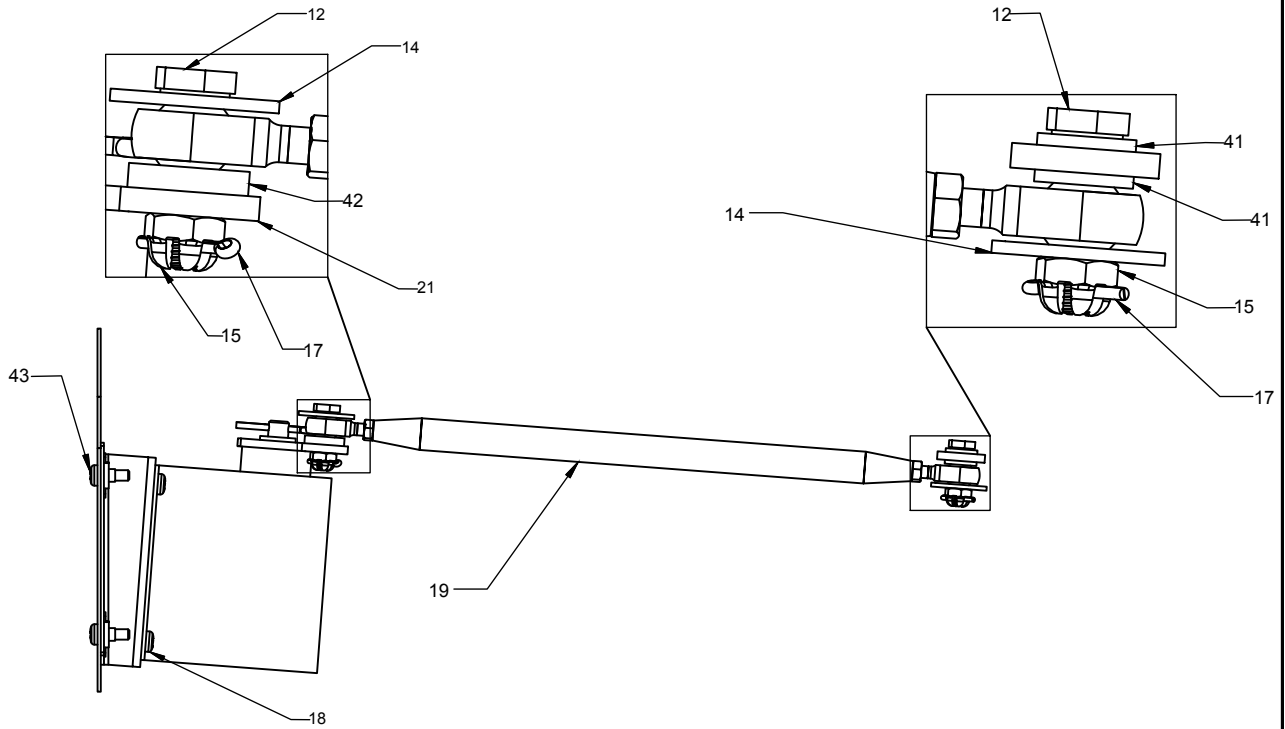


FIGURE 4 - ROLL SERVO PROVISIONS

| ITEM NO. | QTY | PART NUMBER | DESCRIPTION | NOTE | FIG |
|----------|-----|----------------|------------------------------------|---------------------------|-------|
| 7 | 1 | 1177501 | BRACKET ASSY - ROLL SERVO | | 2 |
| 12 | 2 | AN3-7 | BOLT 10-32 X .50 GRIP | | 4 |
| 14 | 2 | AN970-3 | WASHER | | 4 |
| 15 | 2 | AN310-3 | NUT - CASTELLATED | | 4 |
| 17 | 2 | MS24665-134 | COTTER PIN | | 4 |
| 18 | 4 | MS27039-0807 | SCREW 8-32 X .47 | | 3,4,5 |
| 19 | 1 | 1177601 | TUBE ASSY - ROLL SERVO | | 4 |
| 20 | 1 | 30000000 | ROLL SERVO - CW ROTATION | | 2 |
| 21 | 1 | 1006402-5 | SERVO ARM | ALT PN 1006402-3, 1177403 | 4 |
| 33 | 4 | 1011-1006-0032 | SCRW - METRIC M3x0.5 x 10MM (.394) | | 2,3 |
| | 1 | MS24665-302 | COTTER PIN SERVO SAFETY | | |
| | 1 | NAS1149F0563P | WASHER ROLL SERVO SAFETY | | |
| 41 | 2 | NAS1149F0363P | WASHER | | |
| 42 | 1 | 1006401-1 | SPACER | | |
| 43 | 4 | AN525-832R7 | SCREW 8-32 x .438" | | |
| | 1 | MS21919WDG6 | WIRE HARNESS CLAMP | | |
| | 4 | 10085 | PUSHNUT | | |
| | | | | | |
| | | | | | |
| | | | | | |

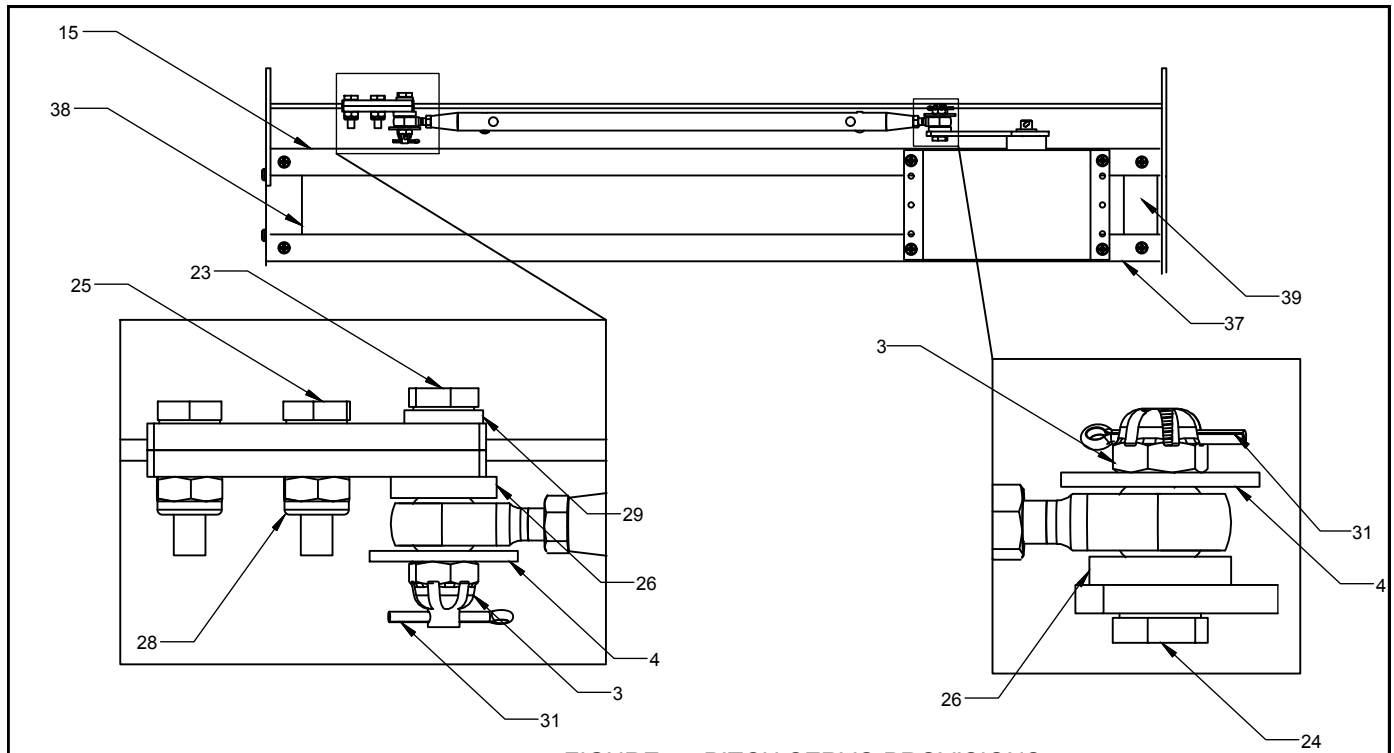


FIGURE 5 - PITCH SERVO PROVISIONS

| ITEM NO. | QTY. | PART NUMBER | DESCRIPTION | NOTE | FIG |
|----------|------|----------------|------------------------------------|----------------|-----|
| 3 | 2 | AN310-3 | NUT - CASTELLATED | | 5 |
| 4 | 2 | AN970-3 | WASHER | | 5 |
| | 1 | 1006402-7 | SERVO ARM | ALT PN 1177101 | |
| | 2 | 9100606-1 | CABLE CLAMP HALF | | |
| 15 | 1 | 1177312 | RAIL LH ASSEMBLY | | 5 |
| | 12 | MS27039-0807 | SCREW 8-32 X .47 | | |
| | 1 | 1177201 | TUBE ASSY - PITCH SERVO | | |
| 23 | 1 | AN3-12 | BOLT 10-32 X .88 GRIP | | 5 |
| 24 | 1 | AN3-7 | BOLT 10-32 X .50 GRIP | | 5 |
| 25 | 2 | AN3-6A | BOLT 10-32 X .38 GRIP | | 5 |
| 26 | 2 | 1006401-1 | SPACER | | 5 |
| 28 | 2 | MS21044N3 | NUT #10 | | 5 |
| 29 | 1 | NAS1149F0332P | WASHER | | 5 |
| 31 | 2 | MS24665-134 | COTTER PIN | | 5 |
| 33 | 4 | 1011-1006-0032 | SCRW - METRIC M3x0.5 x 10MM (.394) | | 2,3 |
| | 1 | MS24665-302 | COTTER PIN SERVO SAFETY | | |
| | 1 | NAS1149F0563P | WASHER SERVO SAFETY | | |
| | 1 | MS21919WDG6 | WIRE HARNESS CLAMP | | |
| 37 | 1 | 117314 | RAIL RH ASSEMBLY | | 5 |
| 38 | 1 | 117319 | REAR CLIP ASSEMBLY | | 5 |
| 39 | 1 | 117316 | FRONT CLIP ASSEMBLY | | 5 |
| | | | | | |
| | | | | | |
| | | | | | |