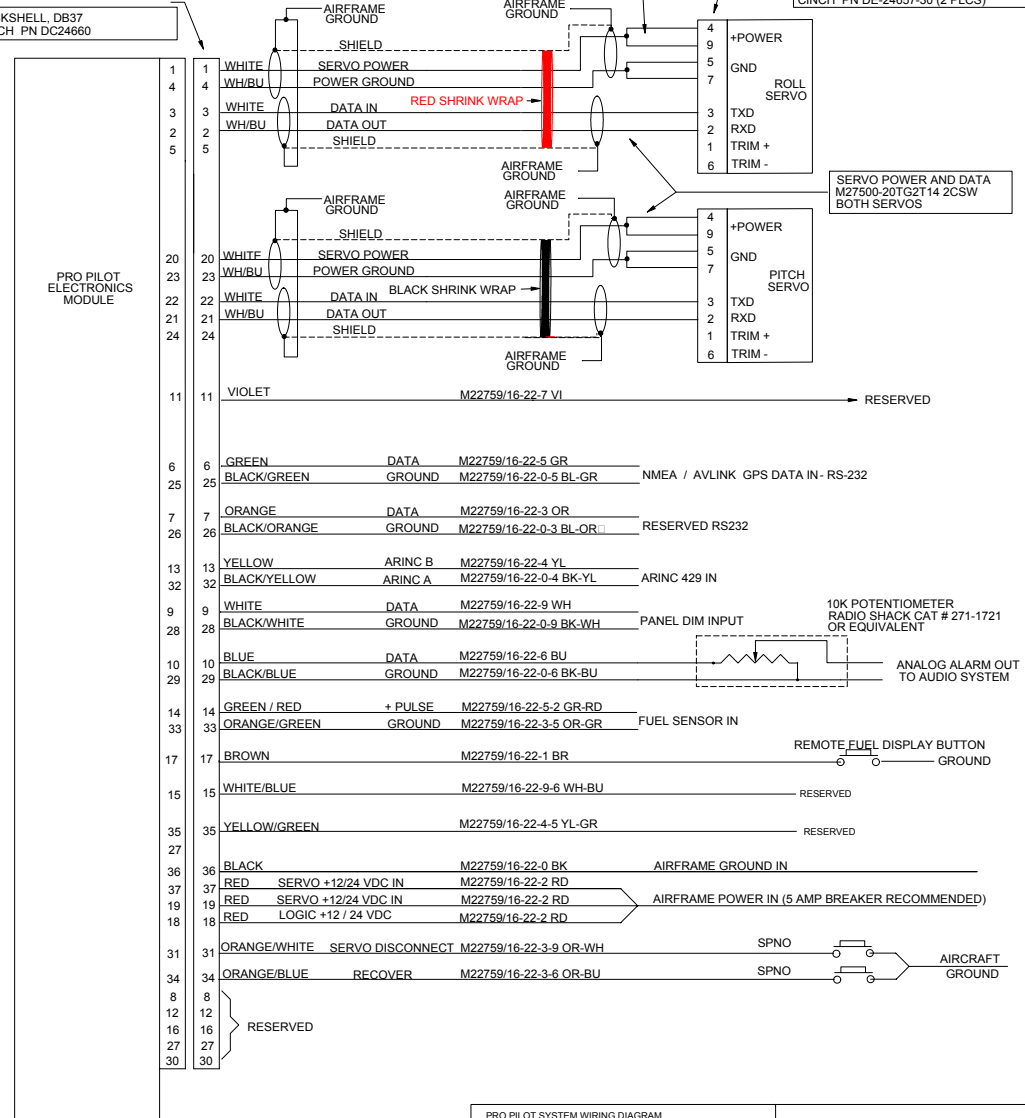


NOTE - THE PITCH SERVO WIRING IS 30 FT IN LENGTH
THE ROLL SERVO WIRING IS 25 FT IN LENGTH

DB-37 FEMALE CONNECTOR
TE CONNECTIVITY PN 205209-2
BACKSHELL, DB37
CINCH PN DG24660

WHITE SHRINK TUBE
WITH PIN NO. ON EACH WIRE
SIX (6) PLCS

DB-9 FEMALE CONNECTOR (2 PLCS)
TE CONNECTIVITY PN 205203-3
BACKSHELL, DB-9
CINCH PN DE-24657-30 (2 PLCS)



PRO PILOT SYSTEM WIRING DIAGRAM		
DATE: 171122	DWG # 41300008	REV: 8
SCALE: NONE		
<small>THESE DRAWINGS, DOCUMENTS, SPECIFICATIONS AND DATA CONTAINED HEREIN ARE THE EXCLUSIVE PROPERTY OF TRIC AVIONICS INC. AND SHALL NOT BE REPRODUCED, COPIED, USED OR DISCLOSED IN WRITING OR ORALLY WITHOUT THE EXPRESS WRITTEN PERMISSION OF TRIC AVIONICS.</small>		
REVISION HISTORY: REV 1 - Changed servo power cable to 20 GA, revised servo cable lengths, added stripped wire colors REV 2 - Changed roll harness length from 26 ft to 25 ft per Datum engineering board meeting minutes, DTD 3/29/17 REV 3 - Changed cabling to use 28ga wire for signal and power, no 22 ga wire used roll = 25 ft, pitch = 30 ft REV 4 - Changed total cabling required to servo from 55 ft to 110 ft REV 5 - Changed servo shield wiring grounding scheme REV 6 - Added white strain relief shield servo DB 9 wires for an identification REV 7 - Added connector, backshell and wire PNs for ICA correction REV 8 - Relabeled unused harness connections. Changed input power to denote 24V operation		