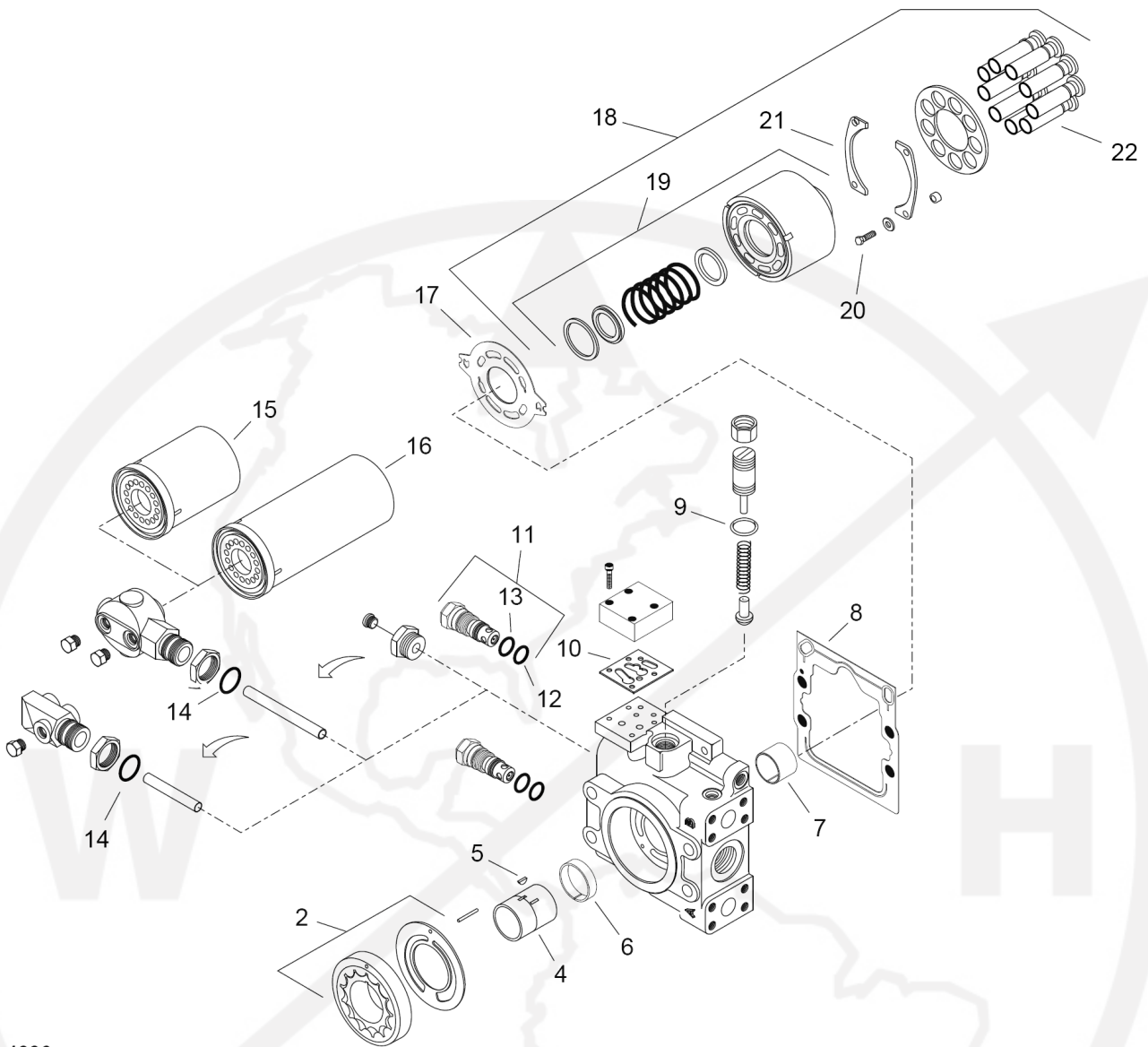


Sauer Danfoss Variable Pump



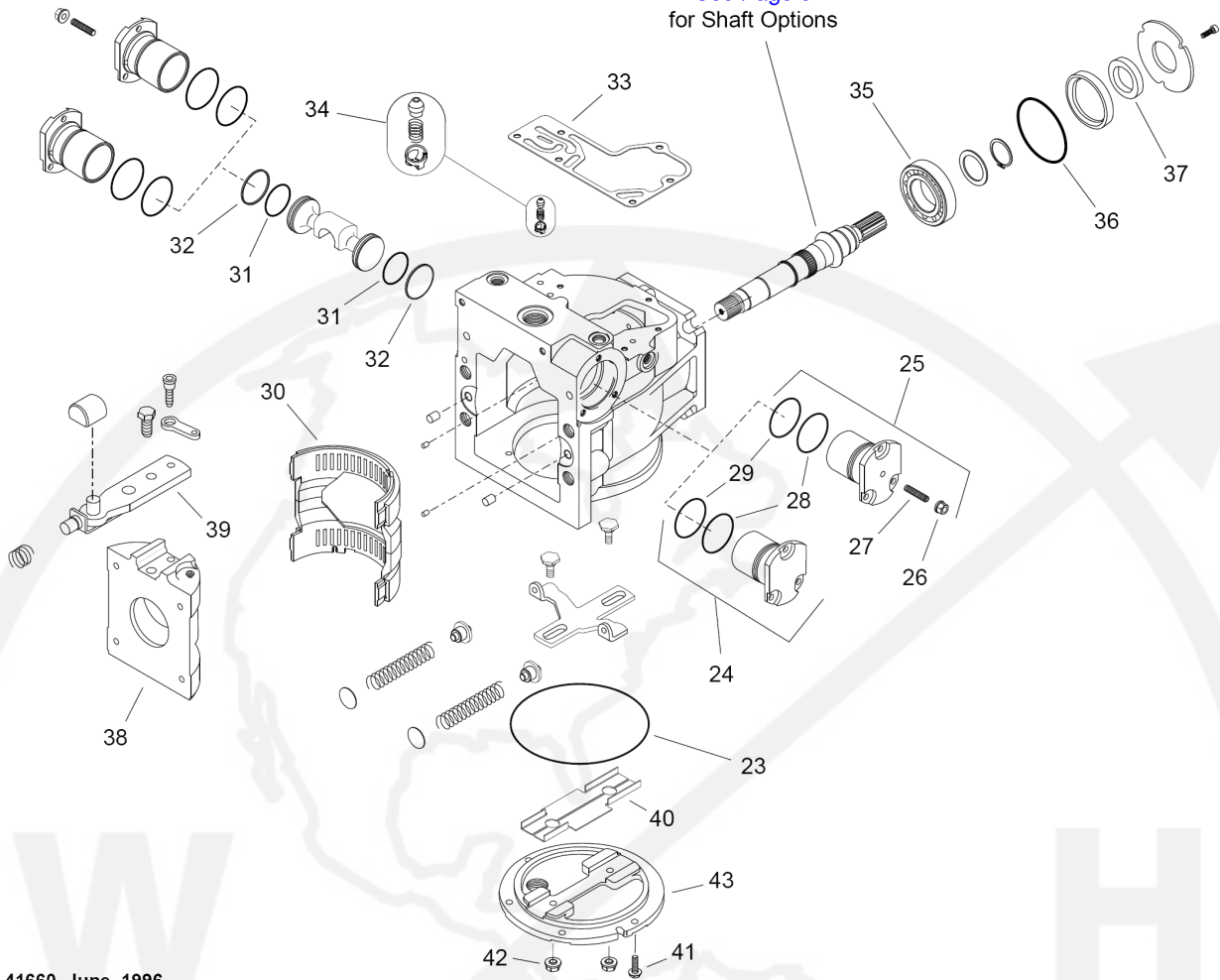
June, 1996

Item #	Description
2	Charge Pump Set , 11cc/rev
	14 cc/rev
	17cc/rev
	20 cc/rev
	26 cc/rev
	34 cc/rev
	47 cc/rev
	65 cc/rev
4	Charge Pump Shaft
5	Charge Pump Key
6	End Cap Bushing
7	End Cap Journal Bearing
8	End Cap Gasket (twin) (side)
9	O-ring
10	Gasket
11	Multi-Function Valve (Range #1) Multi-Function Valve (Range #2)

12	O-ring
13	O-ring
14	O-ring
15	Filter (short)
16	Filter (long)
17	V. Plate (EAA, FAA, NDN, NNN) (FAB, NBN) (EBC, FAD, GBA, NSN, NWN) (EAB, FAC, GCA, NLN, NMN) (GEA, SLN)
18	Cylinder Block Kit w/o speed ring
19	Cyl. Block Assy. w/o speed ring Cyl. Block Assy. w/speed ring
20	Screw
21	Slipper Guide Bearing
22	Welded Piston Assembly

Sauer Danfoss Variable Pump

See Page 6
for Shaft Options



2-41660 June, 1996

Item #	Description
23	O-ring
24	Displ. Limiter Kit-No Limitation
25	Displ. Limiter Kit-Limitation
26	Nut
27	Screw
28	O-ring
29	O-ring
30	Bearing
31	O-ring
32	Piston Ring
33	Control Gasket (MDC & EDC) (HDC)
34	Inlet Orifice Kit (.018" dia.) (.026" dia.) (.032" dia.) (.040" dia.) (.054" dia.) (.062" dia.)

35	Shaft Bearing
36	O-ring
37	Lip Seal
38	Swashplate
39	Servo Arm Assembly
40	Side Cover Insert Assembly
41	Screw
42	Nut
43	Side Cover Assembly w/inserts